

2014 ARCTIC CAT®

ILLUSTRATED PARTS MANUAL



700 XT EFT

Model Number A2014AGT1PETL

ARCTIC CAT®
SHARE OUR PASSION™

www.arcticcat.com

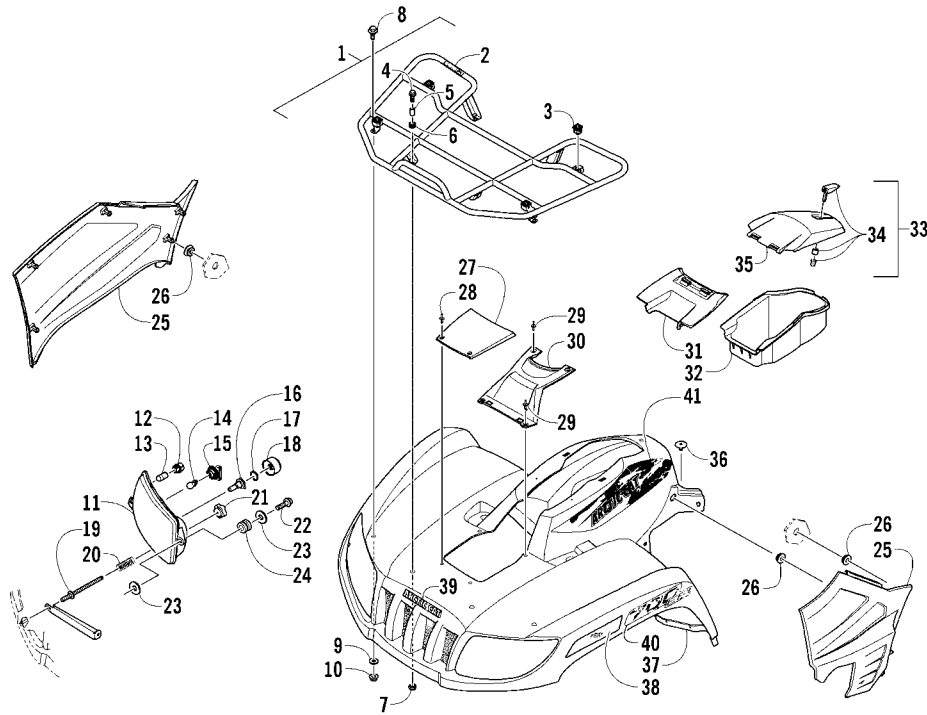
TABLE OF CONTENTS

2014 ATV 700 XT EFT

(Model No. A2014AGT1PETL)

FRONT RACK, BODY PANEL, AND HEADLIGHT ASSEMBLIES	1
REAR RACK, BODY PANEL, AND FOOTWELL ASSEMBLIES	2
FRAME AND RELATED PARTS	3
WINCH ASSEMBLY	4
LICENSE PLATE HOLDER ASSEMBLY	5
SEAT ASSEMBLY	6
STEERING ASSEMBLY	7
HANDLEBAR ASSEMBLY	8
INSTRUMENT POD ASSEMBLY	9
FRONT SUSPENSION ASSEMBLY	10
REAR SUSPENSION ASSEMBLY	11
SWAYBAR ASSEMBLY	12
WHEEL AND TIRE ASSEMBLY	13
HYDRAULIC BRAKE ASSEMBLY	14
PARKING BRAKE ASSEMBLY	15
GAS TANK ASSEMBLY	16
SHIFT LEVER ASSEMBLY	17
AIR INTAKE ASSEMBLY	18
ENGINE AND EXHAUST	19
COOLING ASSEMBLY	20
CASE/BELT COOLING ASSEMBLY	21
DRIVE TRAIN ASSEMBLY	22
FRONT DRIVE GEARCASE ASSEMBLY	23
REAR DRIVE GEARCASE ASSEMBLY	24
WIRING HARNESS ASSEMBLY	25
BATTERY AND STARTER ASSEMBLY	26
THROTTLE BODY ASSEMBLY	27
CYLINDER ASSEMBLY	28
CYLINDER HEAD AND CAMSHAFT/VALVE ASSEMBLY	29
CAM CHAIN ASSEMBLY	30
CRANKCASE ASSEMBLY	31
CRANKSHAFT AND PISTON ASSEMBLY	32
CLUTCH/V-BELT/MAGNETO COVER ASSEMBLY	33
STARTER CLUTCH ASSEMBLY	34
CRANK BALANCER ASSEMBLY	35
OIL FILTER/PUMP ASSEMBLY	36
WATER PUMP ASSEMBLY	37
TRANSMISSION ASSEMBLY	38
SECONDARY TRANSMISSION ASSEMBLY	39
GEAR SHIFTING ASSEMBLY	40
SECONDARY DRIVE ASSEMBLY	41
MAGNETO ASSEMBLY	42

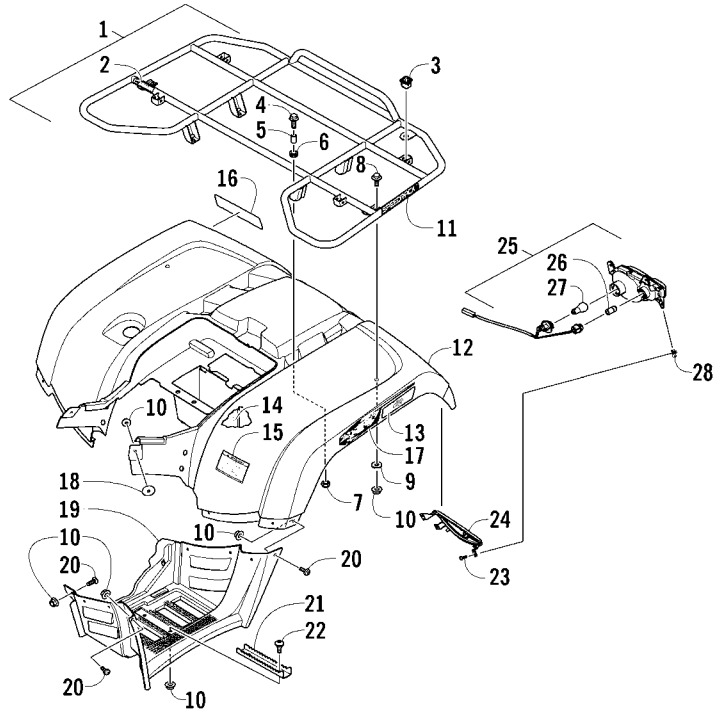
■ **NOTE:** The illustrations used in this Parts Manual are for reference to replacement part numbers only and are not to be used for assembly. For assembly procedures, use an Arctic Cat Service Manual. For a complete list of related items, refer to the current accessory catalog.



FRONT RACK, BODY PANEL, AND HEADLIGHT ASSEMBLIES

0747-671

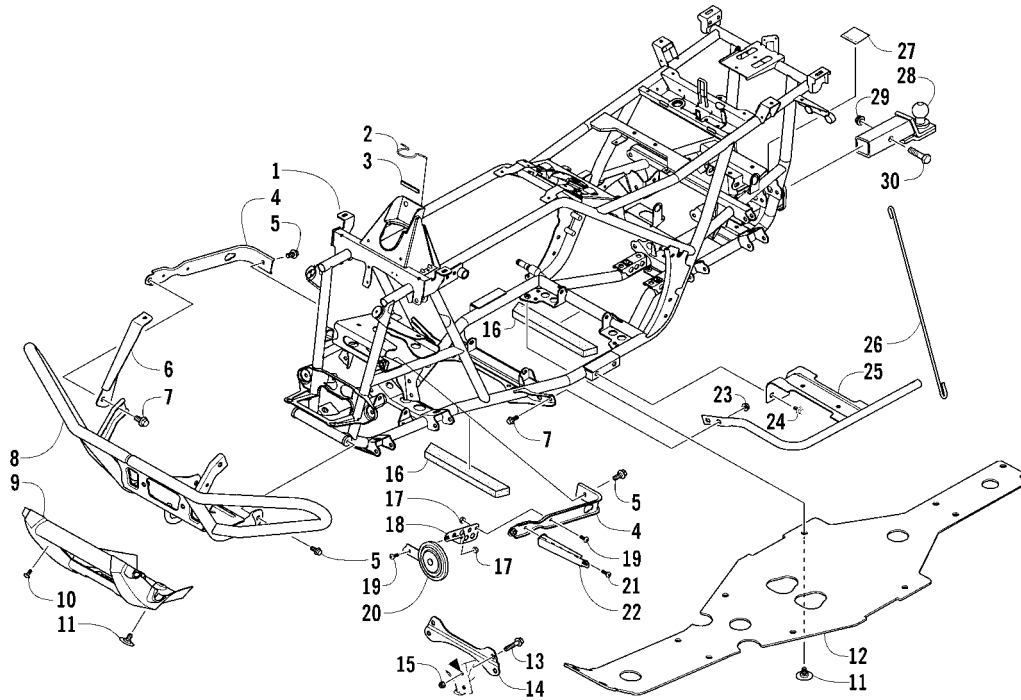
Ref	Part No.	New Qty	Description	Ref	Part No.	New Qty	Description	
1	2506-106	1	Rack, Front - Assembly (inc. 2-3)	23	8050-217	8	Washer	
2	0411-576	1	● Decal, Warning - Load	24	0423-447	4	Grommet	
3	0441-592	4	● Bushing	25	2406-300	1	Panel, Side - Lower - Right	
4	8410-835	4	Screw, Cap		2406-419	1	Panel, Side - Lower - Left	
5	0423-669	4	Spacer	26	0423-678	8	Grommet	
6	0423-465	4	Grommet	27	1406-358	1	Cover, Access	
7	8432-802	4	Nut, Lock	28	0423-535	2	Rivet, Reinstallable	
8	0423-654	2	Screw, Shoulder	29	0623-362	4	Rivet, Reinstallable	
9	8050-222	2	Washer	30	1406-484	1	Cover, Steering Post	
10	8427-602	2	Nut, Lock	31	0470-513	1	Cover, Storage Box	
11	0509-036	1	Headlight Assembly - Right (inc. 12-18)	32	1406-573	1	Box, Storage	
	0509-037	1	Headlight Assembly - Left (inc. 12-18)	33	2506-234	1	Lid, Storage Box w/Latch (inc. 34-35)	
12	0409-102	2	● Socket, Position Bulb	34	1406-599	1	● Latch, Storage Box	
13	0409-101	2	● Bulb, Position	35	0470-514	1	● Lid, Storage Box	
14	0409-099	2	● Bulb, Turn Signal	36	0423-101	2	Screw, Shoulder	
15	0409-100	2	● Socket, Turn Signal Bulb	37	5506-312	X	Panel, Fender - Blue	
16	0409-096	2	● Bulb, Headlight	38	0411-818	1	Decal, Reflector - Right - Amber	
17	0409-097	2	● Retainer, Spring		0411-819	1	Decal, Reflector - Left - Amber	
18	0409-098	2	● Boot, Rubber	39	1411-725	1	Decal, "Arctic Cat"	
19	0423-514	2	Stud, Adjuster - Headlight	40	3411-534	X	2	Decal, "700 EFI"
20	0423-522	2	Spring, Adjuster	41	3411-530	X	1	Decal, Side - Upper Right
21	0423-513	2	Knob, Adjuster		3411-531	X	1	Decal, Side - Upper Left
22	0623-785	4	Screw, Self-Tapping					



REAR RACK, BODY PANEL, AND FOOTWELL ASSEMBLIES

0747-712

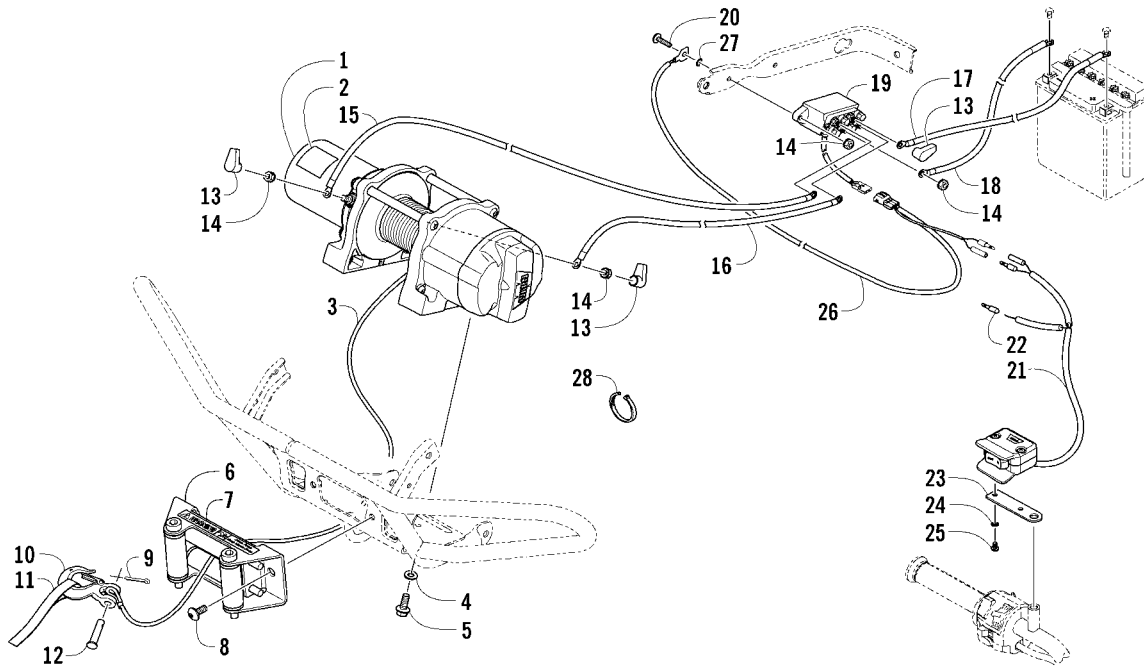
Ref	Part No.	New	Qty	Description	Ref	Part No.	New	Qty	Description
1	2506-125		1	Rack, Rear - Assembly (inc. 2-3)	17	3411-532	X	1	Decal, "XT" Right
2	0411-648		1	● Decal, Warning - Load		3411-533	X	1	Decal, "XT" Left
3	0441-592		4	● Bushing, Rack	18	0423-101		2	Screw, Shoulder
4	8410-835		4	Screw, Cap	19	1406-356		1	Footwell - Right
5	0423-669		4	Spacer		2406-429		1	Footwell - Left
6	0423-465		4	Grommet	20	0423-419		18	Screw, Machine
7	8432-802		4	Nut, Lock	21	5506-497	X	2	Footpeg
8	0423-654		2	Screw, Shoulder	22	0423-355		4	Screw, Shoulder
9	8050-222		2	Washer	23	8476-516		6	Screw, Machine
10	8427-602		26	Nut, Lock	24	0409-112		1	Bezel, Taillight - Right
11	0411-965		2	Decal, "Speedrack"		0409-113		1	Bezel, Taillight - Left
12	4506-984		1	Panel, Fender - Black	25	3313-392		1	Taillight Assembly - Right (inc. 26-27)
13	1411-592		1	Decal, Reflector - Right - Red		3313-393		1	Taillight Assembly - Left (inc. 26-27)
	1411-593		1	Decal, Reflector - Left - Red	26	3313-506		2	● Bulb, Turn Signal
14	0470-658		1	Foil, Protective	27	3303-849		2	● Bulb, Taillight
15	2411-609		1	Decal, Warning - Tire Pressure	28	3304-061		6	Clip, U-Nut
16	1411-725		1	Decal, "Arctic Cat"					



FRAME AND RELATED PARTS

0746-681

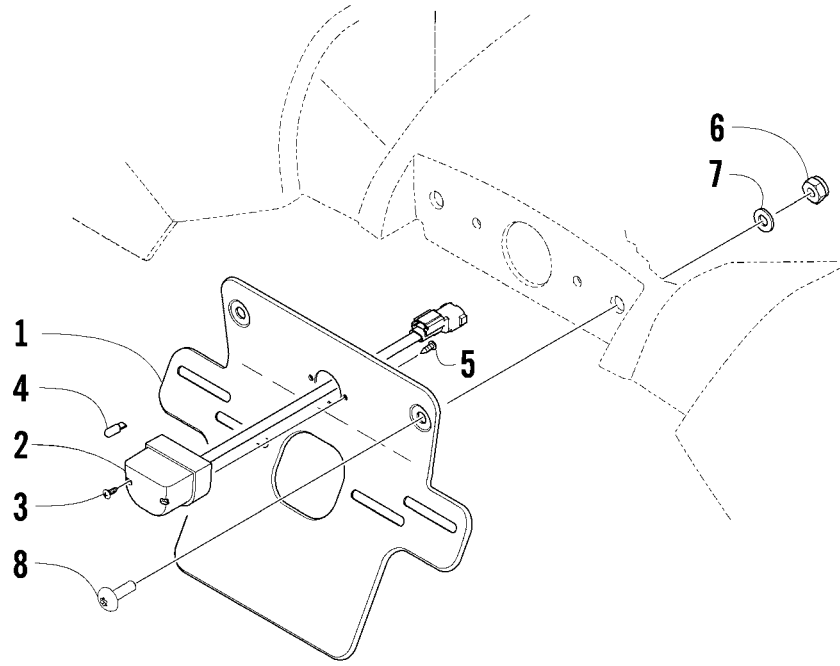
Ref	Part No.	New Qty	Description	Ref	Part No.	New Qty	Description
1	4506-853	1	Frame, Main	17	0623-038	3	Nut w/Washer
2	2416-401	1	Clip, Routing	18	2406-321	1	Bracket, Mounting - Horn
3	0706-371	AR	Trim - 3 ft	19	8477-616	2	Screw, Machine
4	1506-596	2	Channel, Mounting - Bumper	20	0430-053	1	Horn, Electric - 12V
5	8409-020	4	Screw, Cap	21	8477-620	1	Screw, Machine
6	1506-562	1	Bracket, Mounting - Bumper - Right	22	2416-162	1	Bracket, Support - Right
	1506-563	1	Bracket, Mounting - Bumper - Left		2416-163	1	Bracket, Support - Left
7	8408-816	6	Screw, Cap	23	8424-802	4	Nut
8	1506-855	1	Bumper, Front	24	8409-016	4	Screw, Cap
9	1406-360	1	Fascia, Bumper - Front	25	1506-380	1	Footrest - Right
10	0423-419	2	Screw, Machine		1506-379	1	Footrest - Left
11	0423-101	12	Screw, Shoulder	26	2506-423	2	Rod, Support
12	1406-030	1	Panel, Belly	27	1411-077	1	Decal, Warning - Towing
13	8409-025	2	Screw, Cap	28	0541-857	1	Mount, Ball Hitch (inc. 29-30)
14	2516-852	1	Brace, A-Arm	29	0423-690	1	● Nut, Lock
15	0423-744	2	Nut, Lock	30	0423-693	1	● Screw, Cap
16	0406-289	2	Pad, Foam				



WINCH ASSEMBLY

0745-322

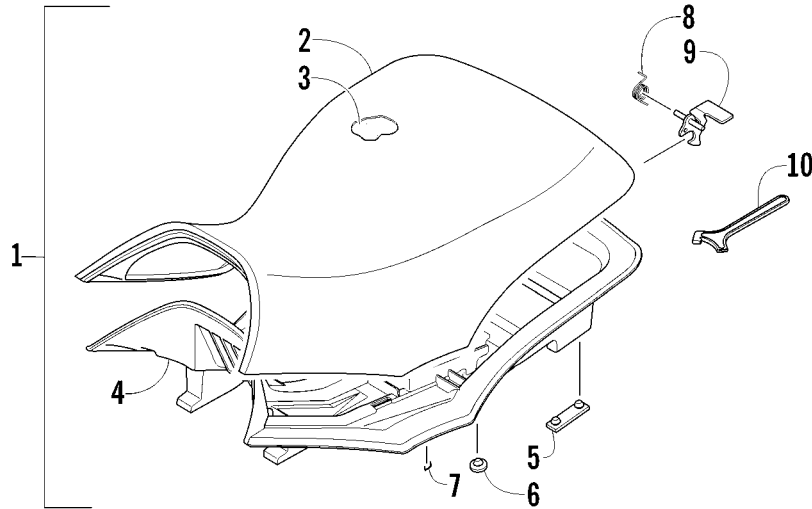
Ref	Part No.	New	Qty	Description	Ref	Part No.	New	Qty	Description
1	1441-657		1	Winch (inc. 2-3)	16	0445-069		1	Cable, Winch/Solenoid - Blue
2	1411-826		1	● Decal, Warning	17	0445-087		1	Cable, Solenoid/Battery - Red
3	0441-061		1	● Cable, Winch	18	1441-112		1	Cable, Solenoid/Battery - Black
4	8051-246		4	Washer, Lock	19	0409-066		1	Solenoid
5	8408-820		4	Screw, Cap	20	8476-625		2	Screw, Machine
6	0441-403		1	Roller, Winch (inc. 7)	21	0505-552		1	Switch, Winch - Assembly (inc. 22-27)
7	0411-474		1	● Decal, Warning - Pinch Point	22	1441-428		1	● Connector, Harness
8	8468-820		2	Screw, Machine	23	0505-551		1	● Bracket, Winch Switch
9	0623-175		1	Pin, Cotter	24	8052-093		2	● Washer, Internal Tooth Lock
10	1441-833		1	Hook, Winch	25	8009-243		2	● Screw, Machine
11	1441-781		1	Strap	26	0486-276		1	● Harness, Adapter - Solenoid
12	1441-834		1	Pin	27	8053-212		1	● Washer, External Tooth Lock
13	0645-019		3	Boot, Terminal	28	0123-788		AR	Tie, Cable - 8 in.
14	0623-038		8	Nut w/Washer		0123-903		AR	Tie, Cable - 11.5 in.
15	0445-068		1	Cable, Winch/Solenoid - Yellow					



LICENSE PLATE HOLDER ASSEMBLY

0743-236

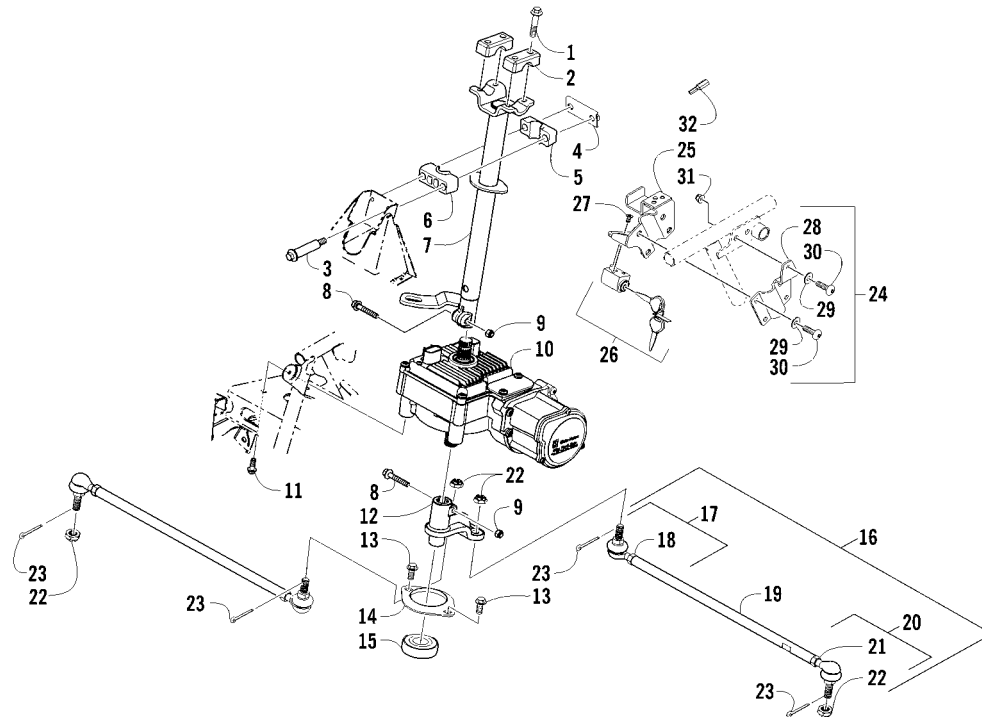
Ref	Part No.	New Qty	Description	Ref	Part No.	New Qty	Description
1	2506-914	1	Mount, License Plate	5	0123-950	2	Screw, Self-Tapping
2	3304-772	1	Light, License Plate Assembly (inc. 3-4)	6	8432-802	2	Nut, Lock
3	3305-399	2	● Screw, Self-Tapping	7	8050-247	2	Washer
4	3303-847	1	● Bulb	8	8468-820	2	Screw, Machine



SEAT ASSEMBLY

0744-435

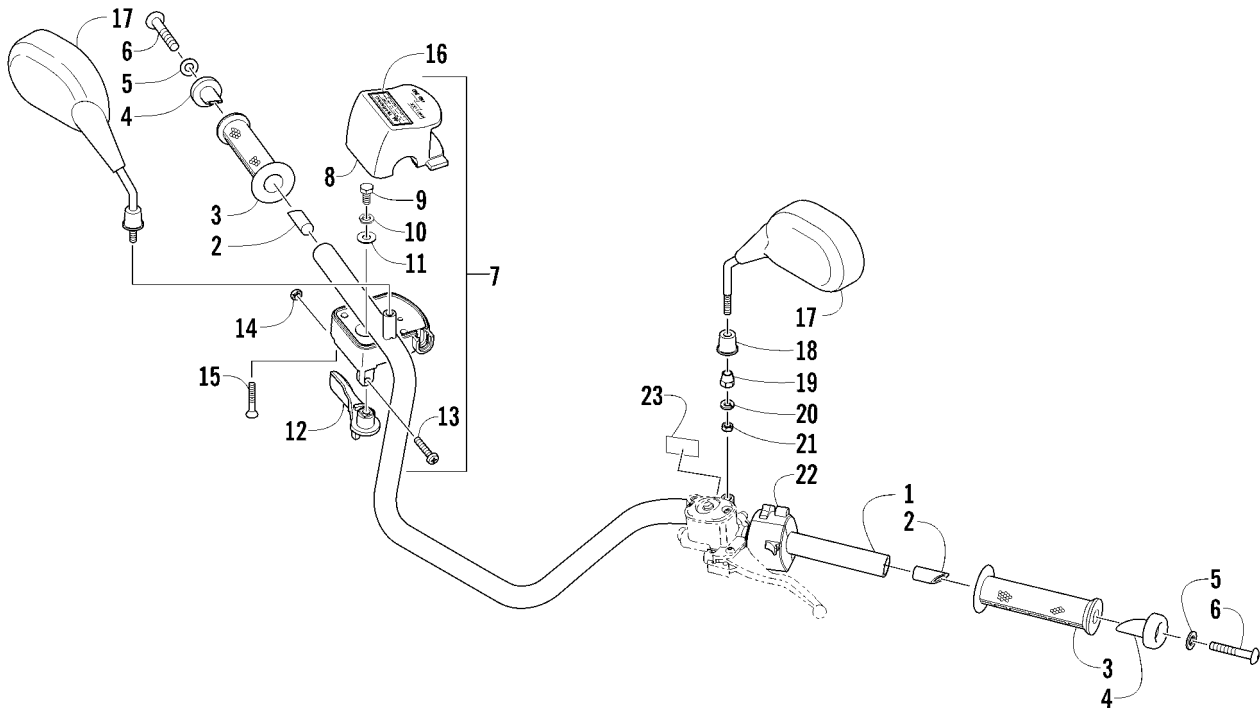
Ref	Part No.	New Qty	Description	Ref	Part No.	New Qty	Description
1	4506-557	1	Seat Assembly (inc. 2-9)	6	0406-877	4	●● Bumper, Seat - Front
2	1506-209	1	● Cover, Seat	7	0624-263	AR	● Staple
3	0517-119	1	● Foam, Seat	8	1406-592	1	● Spring, Seat Latch
4	2416-826	1	● Base, Seat - Assembly (inc. 5-6)	9	1506-156	1	● Latch, Seat
5	0406-879	2	●● Bumper, Seat - Rear	10	0441-587	1	Wrench, Spanner



STEERING ASSEMBLY

0745-656

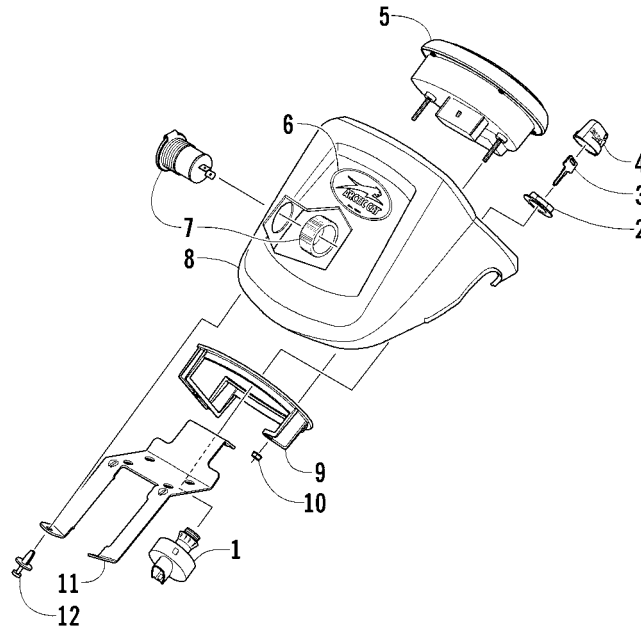
Ref	Part No.	New	Qty	Description	Ref	Part No.	New	Qty	Description
1	8408-835		4	Screw, Cap	18	0423-013		2	●● Nut - Left-Hand Thread
2	0405-035		2	Cap, Steering Adjuster	19	0405-281		2	● Tie Rod
3	0423-505		2	Screw, Shoulder	20	0505-874	X	2	● End, Tie Rod - Right-Hand Thread - Kit (inc. 21)
4	0505-484		1	Cap, Housing	21	8420-002		2	●● Nut - Right-Hand Thread
5	0405-260		1	Housing, Upper	22	0423-157		4	Nut, Lock
6	0405-259		1	Housing, Lower	23	0623-175		4	Pin, Cotter
7	0505-712		1	Post, Steering	24	0505-770		1	Lock, Steering - Assembly (inc. 25-31)
8	8020-045		2	Screw, Cap	25	0505-710		1	● Mount, Steering Lock
9	8040-366		2	Nut, Lock	26	3306-182		1	● Lock, Steering
10	0505-853		1	Assembly, Electronic Power Steering	27	1423-059		2	● Screw, Machine
11	8409-020		4	Screw, Cap	28	0405-409		1	● Mount, Steering Lock
12	0505-664		1	Arm, Steering	29	8050-247		5	● Washer
13	8408-816		2	Screw, Cap	30	1423-112		5	● Screw, Cap
14	0602-233		1	Flange, Bearing	31	8424-802		1	● Nut
15	0405-052		1	Bearing w/Inverted Oil Seal	32	2441-251		1	Tool, Anti-Tamper - Optional
16	0505-872	X	2	Tie Rod - Assembly (inc. 17-21)					
17	0505-875	X	2	● End, Tie Rod - Left-Hand Thread - Kit (inc. 18)					



HANDLEBAR ASSEMBLY

0745-005

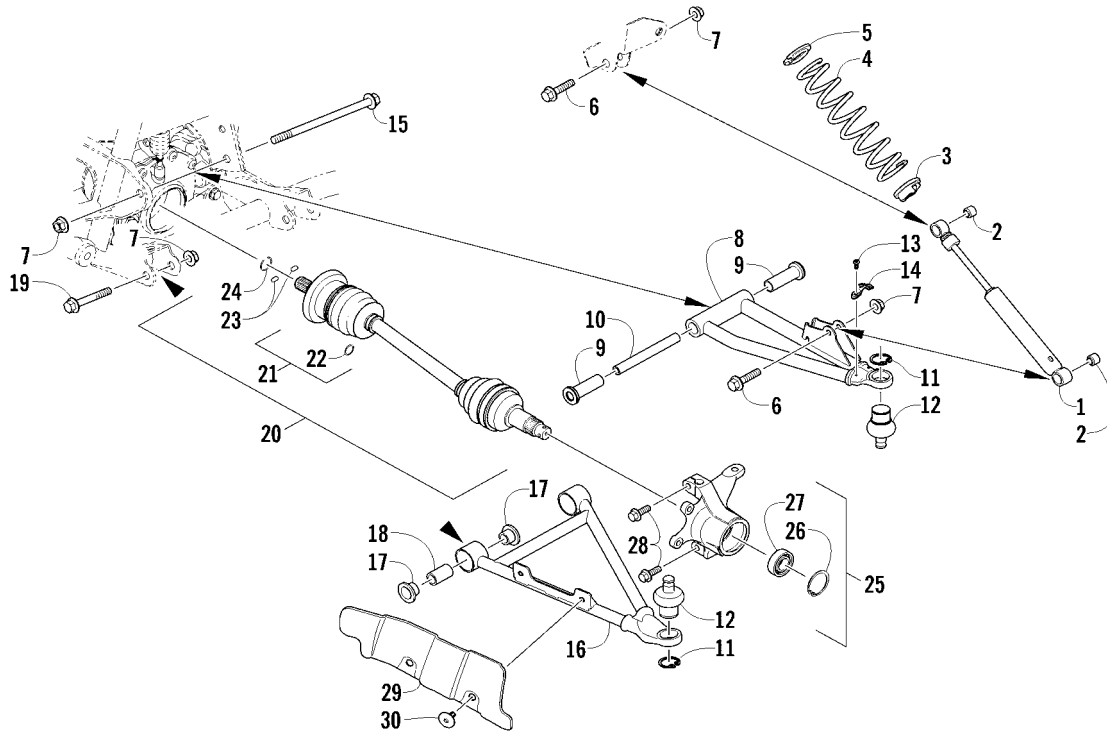
Ref	Part No.	New Qty	Description	Ref	Part No.	New Qty	Description
1	0505-522	1	Handlebar	13	3423-014	1	● Screw, Machine
2	0405-218	2	Plug, Handlebar	14	3423-327	1	● Nut
3	0405-147	2	Grip, Handlebar	15	3423-199	2	● Screw, Machine
4	0405-149	2	End Cap, Handlebar	16	0411-966	1	Decal, Warning - Differential Lock
5	8050-247	2	Washer	17	2406-630	1	Mirror - Right (inc. 18-21)
6	8477-845	2	Screw, Machine		2406-631	1	Mirror - Left (inc. 18-21)
7	0509-054	1	Case, Throttle - Assembly (inc. 8-15)	18	0423-985	2	● Cover
8	0409-141	1	● Cover, Throttle Case w/Switch	19	0423-986	2	● Nut, Adjuster
9	3007-392	1	● Screw, Cap	20	0423-987	2	● Washer, Lock
10	3004-447	1	● Washer, Lock	21	0423-988	2	● Nut
11	3003-030	1	● Washer	22	0409-081	1	Switch, Control - Assembly
12	0409-133	1	● Lever, Throttle	23	1411-865	1	Decal, Warning - Brake Lever Lock



INSTRUMENT POD ASSEMBLY

0746-654

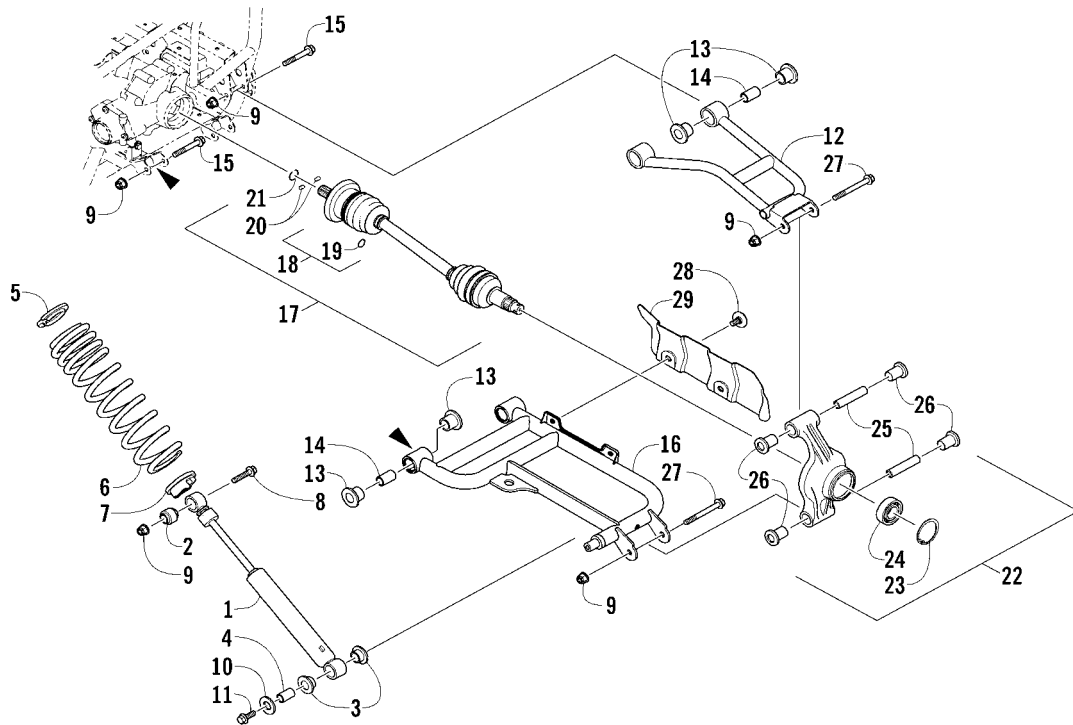
Ref	Part No.	New Qty	Description	Ref	Part No.	New Qty	Description
1	0430-090	1	Switch, Ignition - Assembly (inc. 2-4)	6	9611-751	1	Decal, "Arctic Cat"
2	0430-050	1	● Nut, Retaining	7	0641-897	1	Outlet, Accessory - 12V
3	0430-042	1	● Key, Ignition (Y Series - Left-Side Cut)	8	0505-697	1	Instrument Pod - Black
	0430-043	1	● Key, Ignition (Z Series - Right-Side Cut)	9	0420-065	1	Bracket, Retaining
4	0430-054	1	● Cover, Key	10	0423-493	2	Nut w/Washer
5	0520-166	1	Gauge, LCD	11	2506-470	1	Bracket, Mounting - Instrument Pod
				12	0423-535	2	Rivet, Reinstallable



FRONT SUSPENSION ASSEMBLY

0745-247

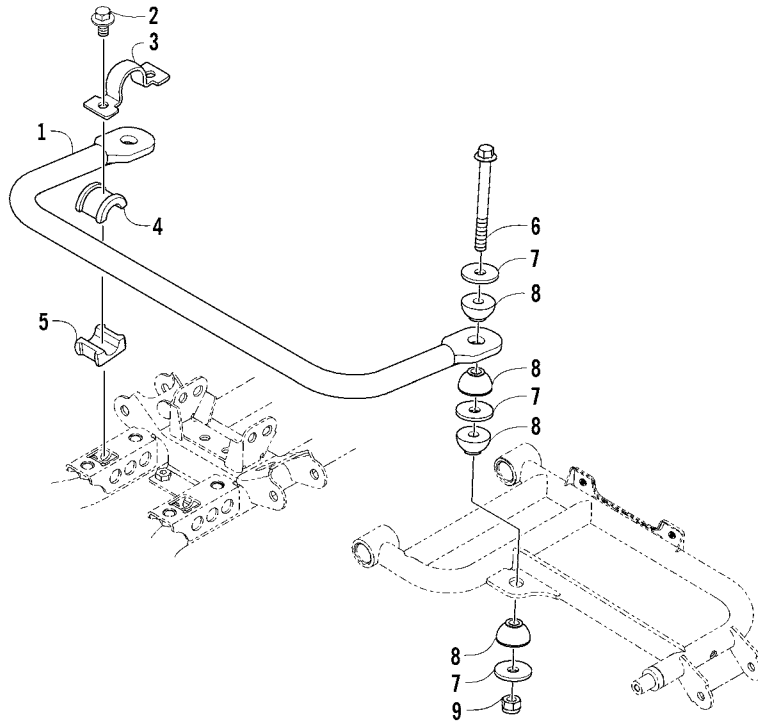
Ref	Part No.	New	Qty	Description	Ref	Part No.	New	Qty	Description
1	0403-209		2	Shock Absorber (inc. 2)	17	0403-208		8	● Bushing
2	0403-182		4	● Bushing	18	0403-214		4	● Axle
3	0403-288		2	Cam, Spring Adjuster	19	8409-075		4	Screw, Cap
4	0503-509		2	Spring, Suspension - White	20	1502-800		1	Axle, Drive - Right (inc. 21-24)
5	1603-889		2	Retainer, Spring	21	1502-799		1	Axle, Drive - Locking - Left (inc. 21-24)
6	8409-040		4	Screw, Cap	22	1436-419		2	● Repair Kit, Boot (inc. 22)
7	0423-744		10	Nut, Lock	23	1441-988		2	● Clip, Retaining
8	0503-416		1	A-Arm, Upper Right - Black (inc. 9-12)	24	1402-885		4	● Pin, Detent
	0503-417		1	A-Arm, Upper Left - Black (inc. 9-12)	24	1402-889		2	● Clip, Retaining
9	0403-207		4	● Bushing	25	0505-576		1	Knuckle - Assembly - Right (inc. 26-27)
10	0403-080		2	● Axle		0505-577		1	Knuckle - Assembly - Left (inc. 26-27)
11	0423-009		4	● Ring, Retaining	26	0423-423		2	● Ring, Retaining
12	0405-483		4	● Ball Joint	27	1402-809		2	● Bearing
13	0423-946		4	Screw, Self-Tapping	28	0423-998		4	Screw, Shoulder
14	1502-594		2	Clamp, Routing	29	1406-034		1	Guard, Boot - Right - Black
15	0423-334		2	Screw, Cap		1406-035		1	Guard, Boot - Left - Black
16	0503-376		1	A-Arm, Lower Right - Black (inc. 17-18 and two No. 11-12)	30	0423-545		4	Screw, Shoulder
	0503-377		1	A-Arm, Lower Left - Black (inc. 17-18 and two No. 11-12)					



REAR SUSPENSION ASSEMBLY

0746-655

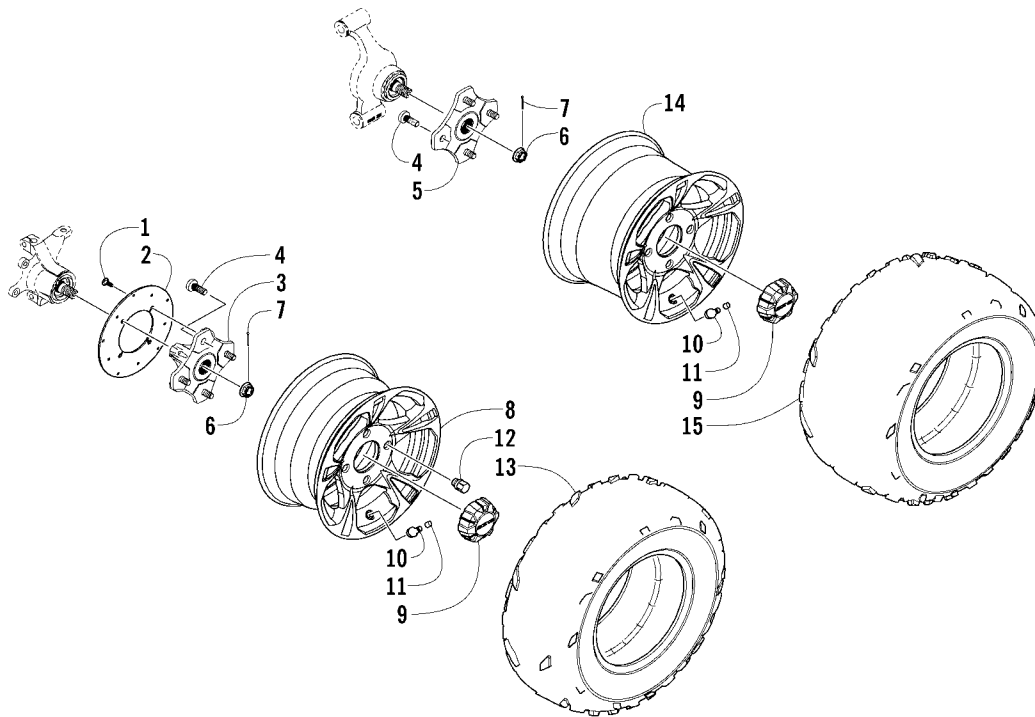
Ref	Part No.	New Qty	Description	Ref	Part No.	New Qty	Description
1	0404-274	2	Shock Absorber (inc. 2-4)	16	0504-718	1	A-Arm, Rear - Lower Right - Black (inc. 13-14)
2	0403-182	2	● Bushing		0504-719	1	A-Arm, Rear - Lower Left - Black (inc. 13-14)
3	0603-955	4	● Bushing	17	1502-798	2	Axle, Drive (inc. 18-21)
4	1603-219	2	● Sleeve	18	1436-419	2	● Repair Kit, Boot (inc. 19)
5	1603-889	2	Retainer, Spring	19	1441-988	2	●● Clip, Retaining
6	0504-750	2	Spring, Suspension - White	20	1402-884	4	● Pin, Detent
7	0404-057	2	Cam, Spring Adjuster	21	1402-890	2	● Clip, Retaining
8	8409-040	1	Screw, Cap - Right	22	0504-616	1	Knuckle, Right - Assembly (inc. 23-26)
	8409-050	1	Screw, Cap - Left		0504-549	1	Knuckle, Left - Assembly (inc. 23-26)
9	0423-744	14	Nut, Lock	23	0423-423	2	● Ring, Retaining
10	0423-087	2	Washer	24	1402-809	2	● Bearing
11	8408-820	2	Screw, Cap	25	0403-213	4	● Axle
12	0504-582	1	A-Arm, Rear - Upper Right - Black (inc. 13-14)	26	0403-206	8	● Bushing
	0504-583	1	A-Arm, Rear - Upper Left - Black (inc. 13-14)	27	8409-000	4	Screw, Cap
13	0403-208	16	● Bushing	28	0423-545	4	Screw, Shoulder
14	0403-214	8	● Axle	29	1406-068	1	Guard, Boot - Rear - Right - Black
15	8409-075	8	Screw, Cap		1406-069	1	Guard, Boot - Rear - Left - Black



SWAYBAR ASSEMBLY

0746-656

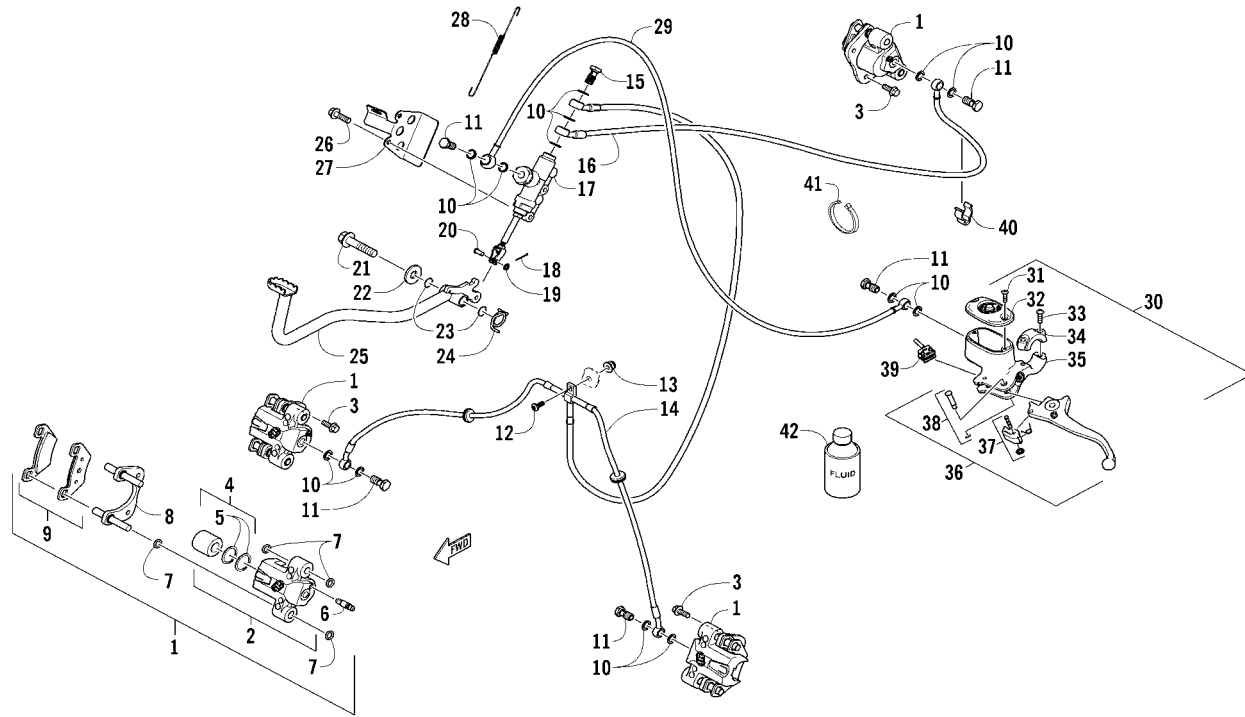
Ref	Part No.	New Qty	Description	Ref	Part No.	New Qty	Description
1	0504-709	1	Swaybar	6	8409-000	2	Screw, Cap
2	8409-016	4	Screw, Cap	7	0423-073	6	Washer
3	0404-135	2	Clamp, Retaining	8	1402-434	8	Bushing
4	0404-282	2	Bushing, Swaybar - Upper	9	8422-002	2	Nut, Lock
5	0404-283	2	Bushing, Swaybar - Lower				



WHEEL AND TIRE ASSEMBLY

0746-705

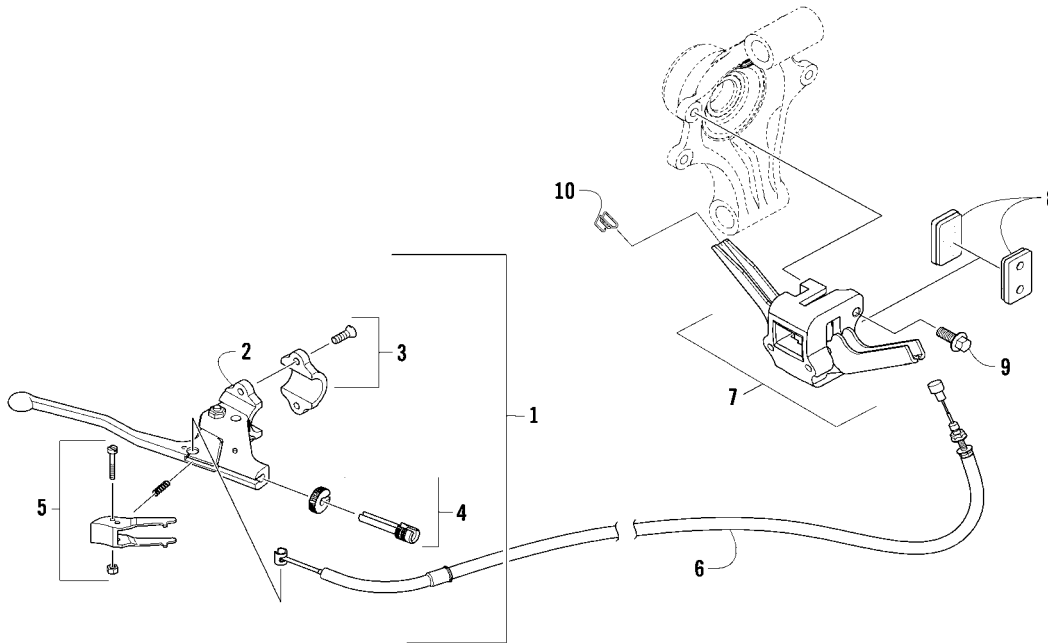
Ref	Part No.	New Qty	Description	Ref	Part No.	New Qty	Description
1	0423-557	12	Screw, Shoulder	8	2402-068	2	Wheel - Front - Aluminum (inc. 9)
2	1436-164	3	Disc, Brake	9	2402-084	4	● Cap, Wheel
3	1502-462	2	Hub, Wheel - Front (inc. 4)	10	0402-064	4	Stem, Valve (inc. 11)
4	0402-974	16	● Stud	11	0402-140	4	● Cap, Valve Stem
5	1502-462	1	Hub, Wheel - Rear - Right (inc. 4)	12	0423-618	16	Nut, Lug - Chrome
	1502-464	1	Hub, Wheel - Rear - Left (inc. 4)	13	2402-096	2	Tire - Front
6	0423-607	4	Nut, Castle	14	2402-069	2	Wheel - Rear - Aluminum (inc. 9)
7	0423-407	4	Pin, Cotter	15	2402-097	2	Tire - Rear



HYDRAULIC BRAKE ASSEMBLY

0747-101

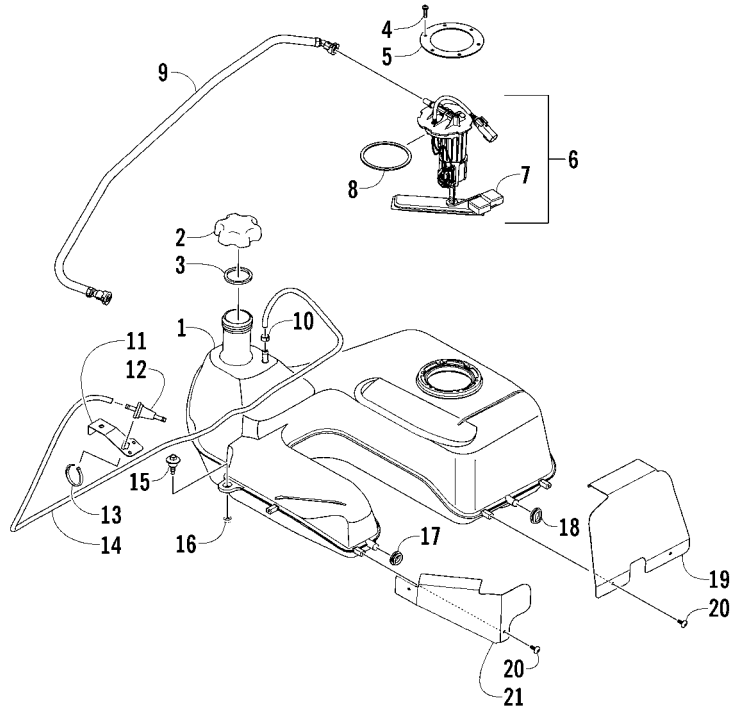
Ref	Part No.	New Qty	Description	Ref	Part No.	New Qty	Description
1	1436-422	1	Caliper, Brake - Right Front (inc. 2-9)	19	8050-217	1	Washer
	1436-423	1	Caliper, Brake - Left Front (inc. 2-9)	20	1402-377	1	Pin, Clevis
	1436-423	1	Caliper, Brake - Rear (inc. 2-9)	21	8408-816	1	Screw, Cap
2	1436-160	1	● Housing, Caliper - Assembly - Right Front (inc. 3-6)	22	8050-252	1	Washer
	1436-161	1	● Housing, Caliper - Assembly - Left Front (inc. 3-6)	23	1602-213	2	O-Ring
	1436-161	1	● Housing, Caliper - Assembly - Rear (inc. 3-6)	24	0502-807	1	Spring, Brake Lever
3	8408-821	6	●●● Screw, Cap	25	1502-063	1	Lever, Brake
4	0502-606	3	●●● Piston/Seal Set (inc. 5)	26	8408-625	2	Screw, Cap
5	0502-607	3	●●● Seal Set	27	1502-179	1	Bracket, Switch
6	0502-609	3	●● Valve, Bleed	28	0502-785	1	Spring, Brake Switch
7	0502-608	3	● O-Ring, Guide - Set	29	1402-592	1	Hose, Brakeline
8	0502-605	3	● Bracket Assembly	30	0502-914	1	Brake Assembly (inc. 31-39)
9	1502-694	3	● Pad, Brake - Set	31	0502-566	1	● Screw, Machine - Kit
10	0423-178	13	Washer, Crush	32	0502-868	1	● Cover, Reservoir
11	0423-413	5	Bolt, Banjo-Fitting	33	0502-568	1	● Screw, Machine - Kit
12	8476-625	1	Screw, Machine	34	0502-869	1	● Clamp, Master Cylinder
13	8427-602	1	Nut, Lock	35	0502-704	1	● Master Cylinder Assembly
14	1502-148	1	Hose, Brakeline - Assembly	36	0502-866	1	● Lever Assembly - Kit (inc. 37-38)
15	0423-610	1	Bolt, Banjo-Fitting - Double	37	0502-867	1	●● Lock, Brake Lever - Kit
16	1402-593	1	Hose, Brakeline	38	0502-580	1	●● Lever Pin - Kit
17	1502-147	1	Brake Assembly	39	0502-564	1	● Switch, Brake
18	0117-868	1	Pin, Cotter	40	1502-115	2	Clip, Brakeline Hose
				41	0123-788	AR	Tie, Cable - 8 in.
				42	5639-848	AR	Fluid, Brake - 12 oz



PARKING BRAKE ASSEMBLY

0743-214

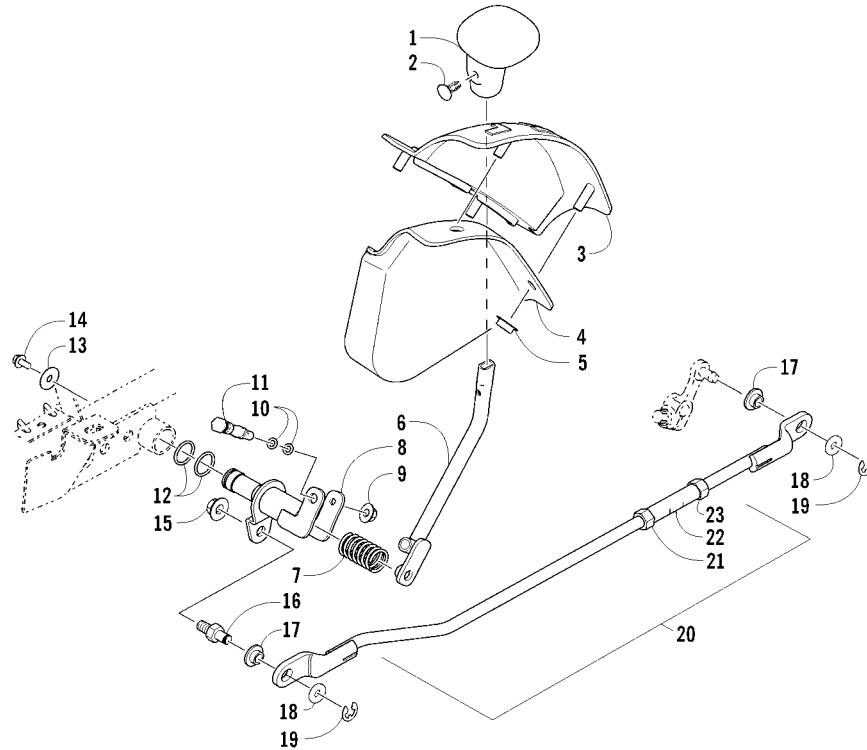
Ref	Part No.	New	Qty	Description	Ref	Part No.	New	Qty	Description
1	1502-265		1	Lever, Parking Brake - Assembly (inc. 2-6)	6	0487-054		1	● Cable, Brake - Rear
2	1502-429		1	● Lever, Parking Brake - Kit	7	1502-865		1	Mechanical Brake Assembly (inc. 8)
3	1502-432		1	● Clamp, Handlebar - Kit	8	1402-602		2	● Pad, Brake
4	1502-430		1	● Adjuster, Thumb Nut - Kit	9	8408-826		2	Screw, Cap
5	1502-431		1	● Lock, Parking Brake Lever - Kit	10	0402-379		1	Wire Form, Cable



GAS TANK ASSEMBLY

0747-102

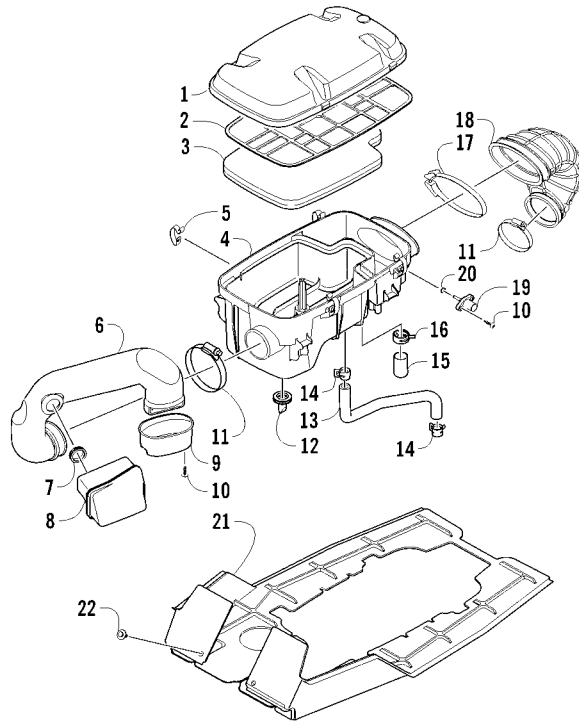
Ref	Part No.	New Qty	Description	Ref	Part No.	New Qty	Description
1	0570-307	1	Tank, Gas - Assembly (inc. 2-5)	12	0470-988	1	Filter, In-Line
2	0470-438	1	●● Cap, Gas Tank (inc. 3)	13	0123-788	AR	Tie, Cable - 8 in.
3	0109-733	1	●● Gasket, Gas Tank Cap	14	0410-070	AR	Hose, Gasline - 25 ft
4	0423-898	6	● Screw, Self-Tapping	15	0423-732	2	Screw, Shoulder
5	2670-042	1	● Plate, Retaining	16	0623-038	1	Nut w/Washer
6	0570-322	1	Pump, Fuel - Assembly (inc. 7-8)	17	0423-460	1	Grommet
7	2670-235	1	● Float	18	0423-806	1	Grommet
8	0470-838	1	● Seal	19	0470-710	1	Shield, Heat - Gas Tank - Rear
9	0570-317	1	Hose, Gasline - Assembly	20	0623-797	4	Screw, Self-Tapping
10	0423-688	AR	Clamp, Hose	21	0470-709	1	Shield, Heat - Gas Tank - Front
11	0470-980	1	Bracket, Filter Mounting				



SHIFT LEVER ASSEMBLY

0745-123

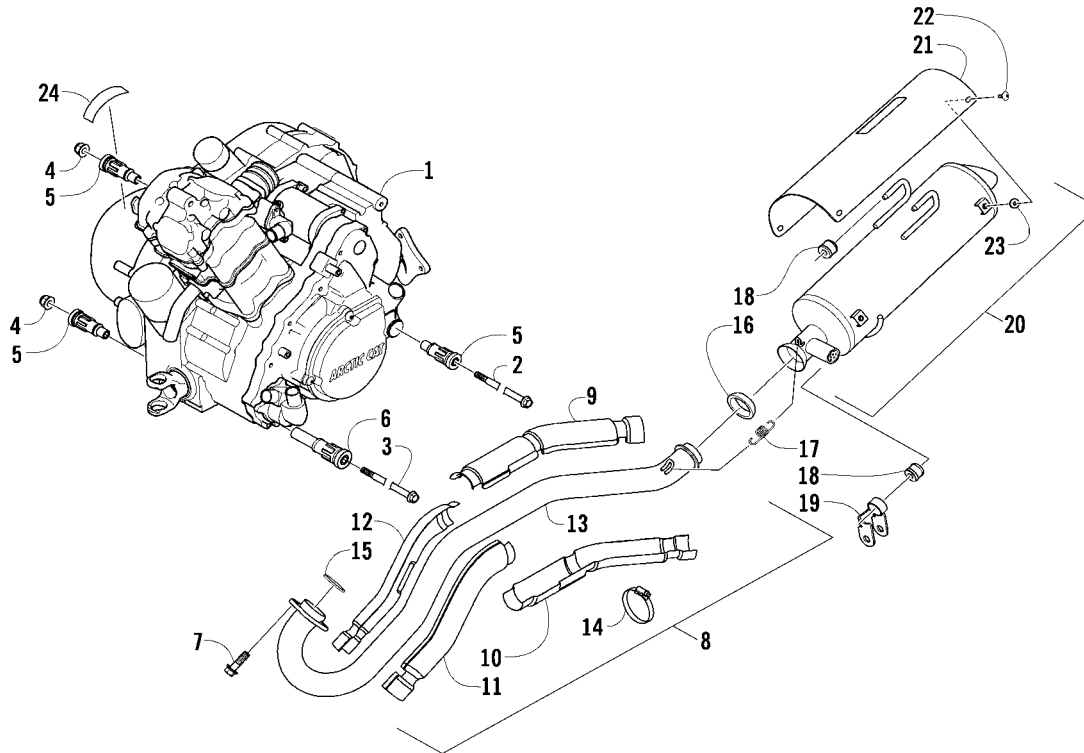
Ref	Part No.	New Qty	Description	Ref	Part No.	New Qty	Description
1	0402-843	1	Knob, Shift	13	0423-087	1	Washer
2	0423-345	1	Clip, Retaining	14	8408-812	1	Screw, Cap
3	1402-576	1	Plate, Shift	15	8424-802	1	Nut
4	2406-345	1	Shield, Shift Plate	16	1402-621	1	Pin, Mounting
5	0423-357	4	Nut, Stamped	17	0423-091	2	Bushing
6	1502-977	1	Lever, Shift	18	0623-094	2	Washer
7	2402-117	1	Spring, Shift Lever	19	0423-169	2	E-Ring
8	1502-332	1	Actuator, Shift	20	1502-200	1	Linkage, Shift - Assembly (inc. 21-23)
9	8424-602	1	Nut	21	0123-917	1	● Nut, Hex - Left-Hand Thread
10	0423-182	2	O-Ring	22	1402-619	1	● Coupler
11	0402-675	1	Axle, Pivot	23	0623-294	1	● Nut, Hex - Right-Hand Thread
12	0423-299	2	O-Ring				



AIR INTAKE ASSEMBLY

0744-432

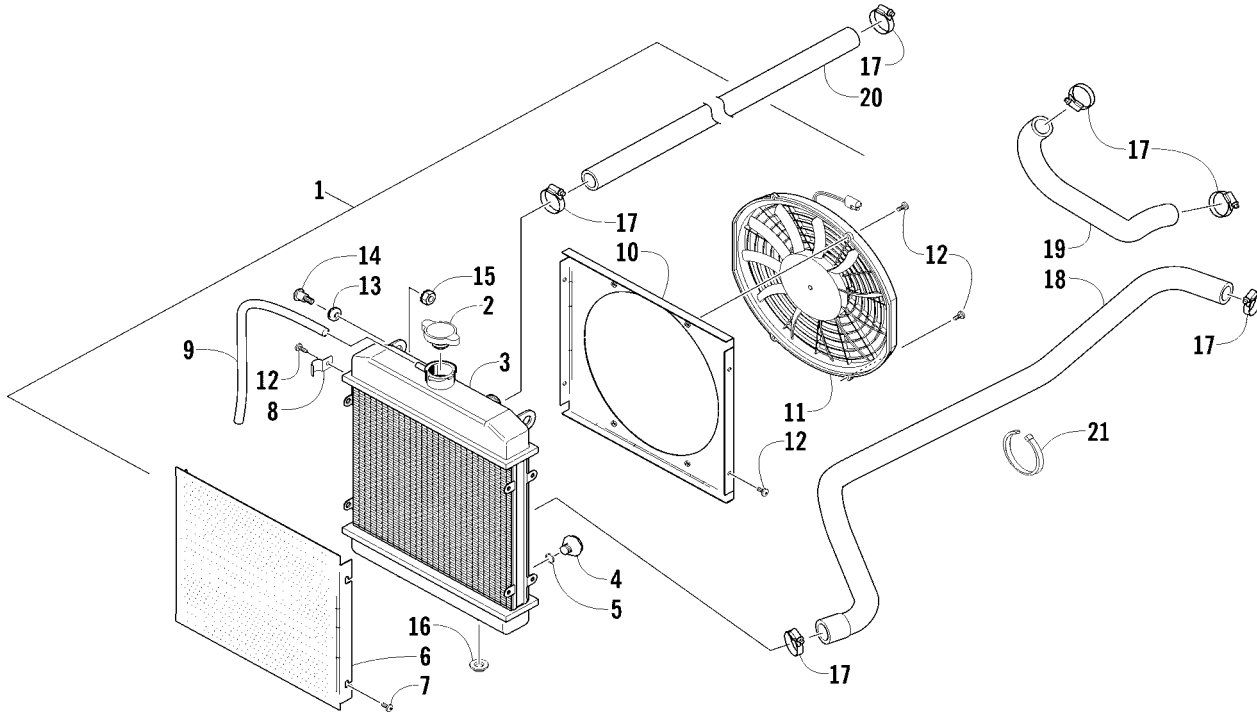
Ref	Part No.	New Qty	Description	Ref	Part No.	New Qty	Description
1	0470-877	1	Cover, Intake	12	0470-442	1	Valve, Drain
2	0470-560	1	Screen, Air Filter	13	0410-172	1	Hose, Vent
3	0470-558	1	Filter, Air	14	1623-281	2	Clamp, Hose
4	0470-728	1	Housing, Intake	15	0423-766	1	Cap, Drain
5	0423-455	4	Clip, Spring	16	1623-287	1	Clamp
6	0470-749	1	Duct, Engine Intake	17	0423-554	1	Clamp
7	0423-763	1	Grommet	18	0470-511	1	Boot
8	0570-215	1	Resonator	19	0430-055	1	Sensor, Air Temperature (inc. 20)
9	0470-729	1	Boot	20	5507-224	1	● O-Ring
10	0423-342	4	Screw, Self-Tapping	21	2406-604	1	Panel, Shield
11	0423-019	2	Clamp	22	0623-362	2	Rivet, Reinstallable



ENGINE AND EXHAUST

0743-282

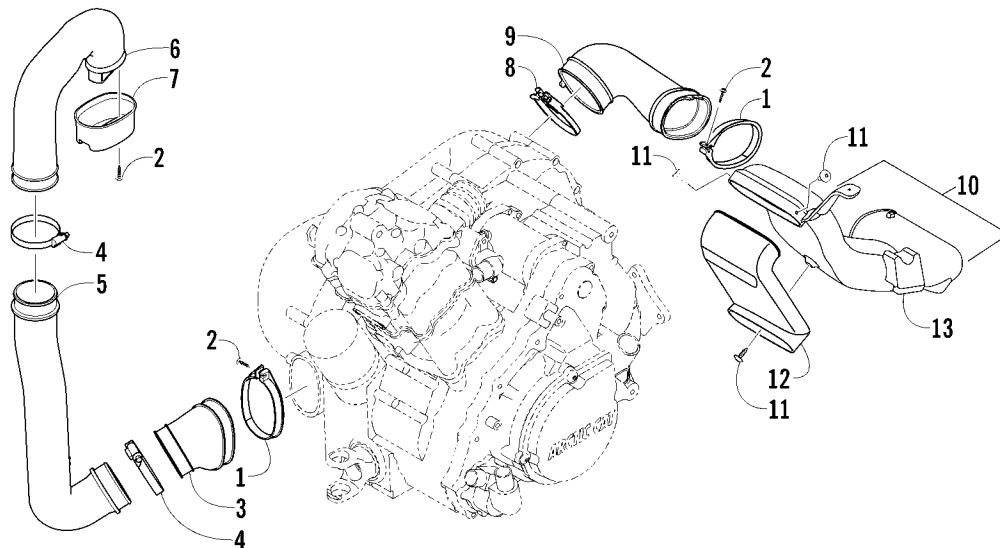
Ref	Part No.	New	Qty	Description	Ref	Part No.	New	Qty	Description
1	0800-121		1	Engine, A700K	13	0512-344		1	● Pipe, Exhaust
2	0423-451		1	Screw, Cap	14	0423-317		4	● Clamp
3	0423-405		1	Screw, Cap	15	0412-338		1	Gasket, Exhaust
4	8428-002		2	Nut, Lock	16	0412-375		1	Seal, Exhaust
5	0801-129		3	Mount, Rubber - Engine	17	0612-668		2	Spring, Extension
6	0801-122		1	Mount, Rubber - Engine	18	0412-577		3	Bushing
7	8408-820		2	Screw, Cap	19	1506-732		1	Channel, Muffler Support
8	0512-345		1	Pipe, Exhaust - Assembly (inc. 9-14)	20	0512-430		1	Muffler - Assembly (inc. 21-23)
9	0412-350		1	● Shield, Exhaust Pipe - Outer - Rear	21	0412-489		1	● Cover, Muffler
10	0412-339		1	● Shield, Exhaust Pipe - Inner - Rear	22	8477-610		4	● Screw, Machine
11	0412-349		1	● Shield, Exhaust Pipe - Inner - Front	23	0412-490		4	● Washer
12	0412-348		1	● Shield, Exhaust Pipe - Outer - Front	24	0411-426		1	Decal, Warning - Clutch Cover



COOLING ASSEMBLY

0745-858

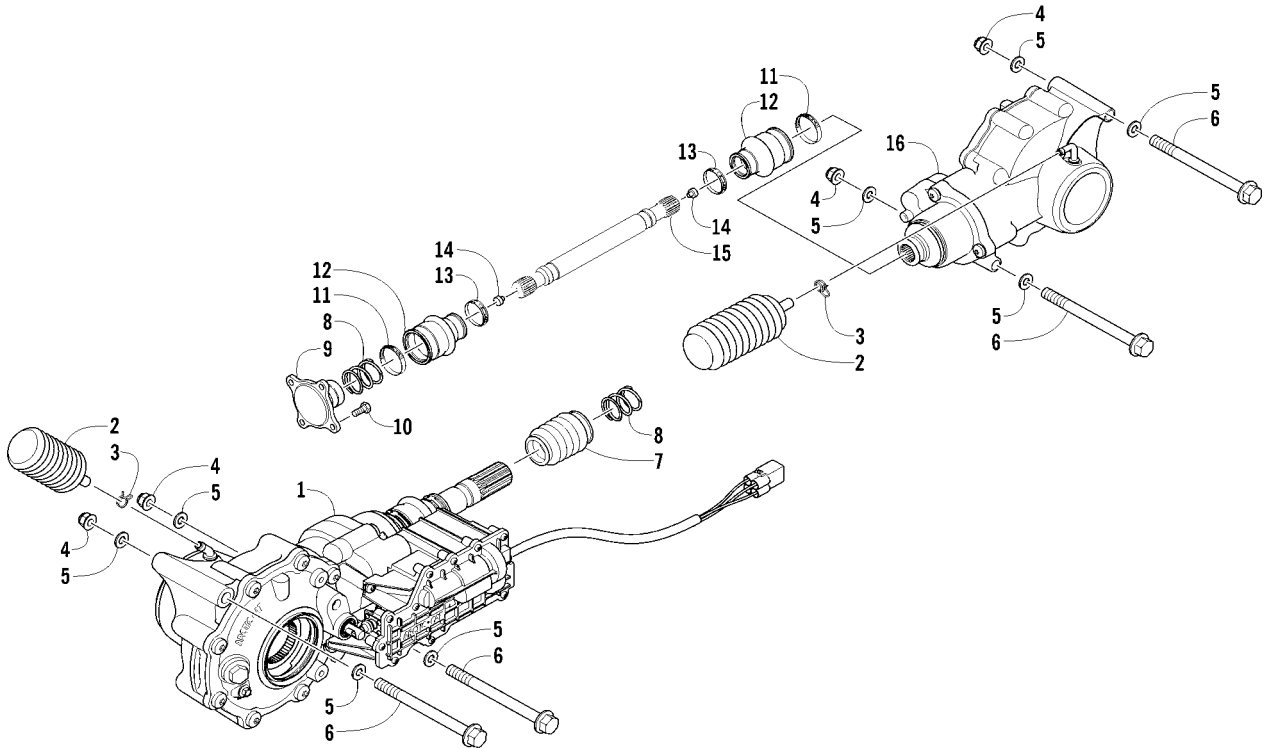
Ref	Part No.	New	Qty	Description	Ref	Part No.	New	Qty	Description
1	0413-256		1	Radiator Assembly (inc. 2-13)	11	0413-123		1	● Fan, Cooling
2	0413-255		1	● Cap	12	0623-378		8	● Screw, Self-Tapping
3	0413-205		1	● Radiator	13	0423-030		2	● Grommet
4	0413-195		1	● Plug, Drain	14	0423-484		2	Screw, Shoulder
5	1602-213		1	● O-Ring	15	0623-038		2	Nut w/Washer
6	0413-007		1	● Screen	16	0423-028		2	Bushing, Stem
7	8475-512		4	● Screw, Machine	17	0423-496		6	Clamp, Hose
8	0423-351		1	● Clamp, Wire	18	0410-229		1	Hose, Coolant - Lower
9	0610-016	AR		● Hose - 25 ft	19	0410-022		1	Hose, Coolant - Crossover
	0610-015	AR		● Hose - 100 ft	20	0410-002		1	Hose, Coolant - Upper
10	0413-203		1	● Shroud, Fan	21	0123-903	AR		Tie, Cable - 11.5 in.



CASE/BELT COOLING ASSEMBLY

0744-433

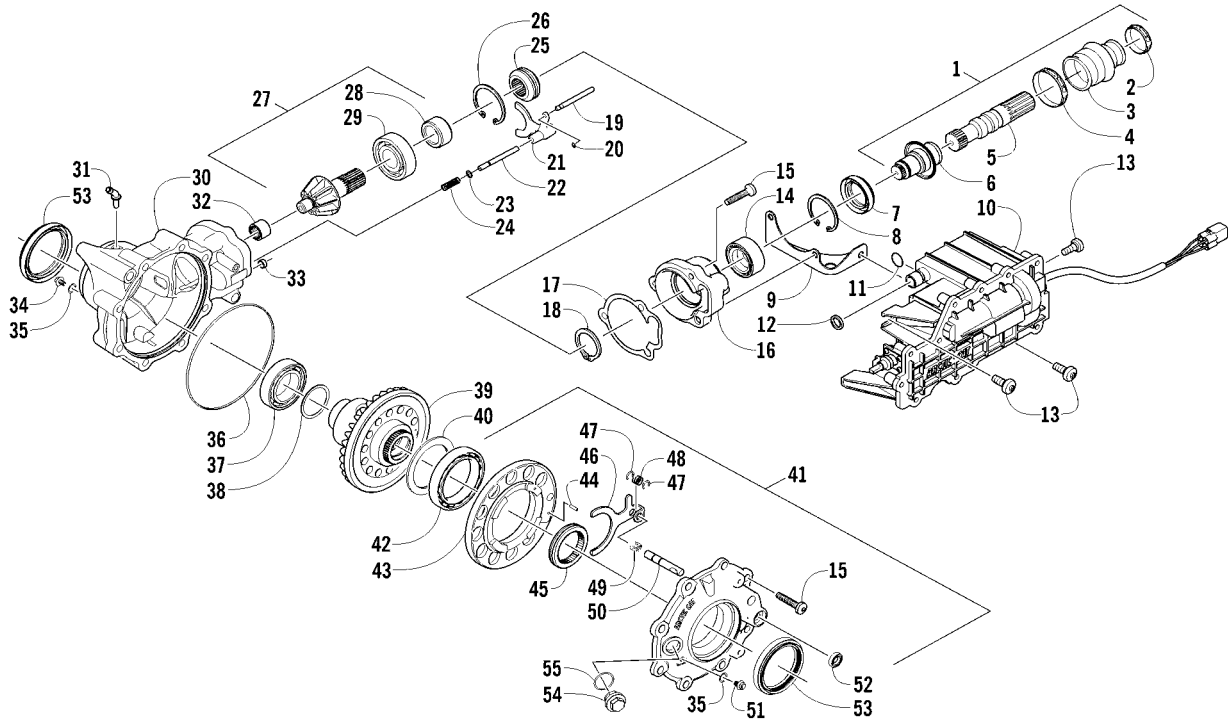
Ref	Part No.	New Qty	Description	Ref	Part No.	New Qty	Description
1	0423-550	2	Clamp, Plastic	8	0423-730	1	Clamp
2	0423-342	4	Screw, Self-Tapping	9	0413-206	1	Boot, Duct - Air Out - Rear
3	0413-252	1	Boot, Duct - Air Intake - Front	10	0470-824	1	Duct, Air Out - Rear (inc. three No. 11 and 12-13)
4	0423-019	2	Clamp	11	0623-784	4	● Screw, Self-Tapping
5	0413-250	1	Duct, Air Intake - Front - Lower	12	0470-778	1	● Duct
6	0470-750	1	Duct, Air Intake - Front - Upper	13	0470-825	1	● Duct
7	0470-729	1	Cup, Air Intake				



DRIVE TRAIN ASSEMBLY

0745-861

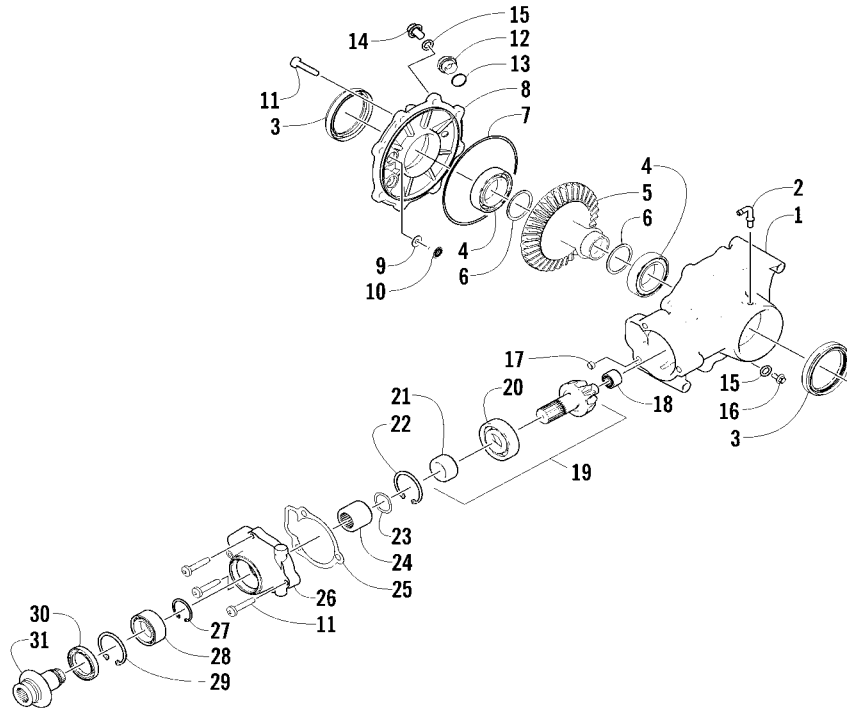
Ref	Part No.	New	Qty	Description	Ref	Part No.	New	Qty	Description
1	2502-091	X	1	Gearcase, Front	9	0402-950		1	Flange, Output
2	1402-620		2	Bladder, Gearcase	10	8408-820		4	Screw, Cap
3	0423-315		2	Clamp, Hose	11	0423-393		2	Clamp
4	8428-002		4	Nut, Lock	12	0402-985		2	Boot
5	0423-426		8	Washer	13	0423-411		2	Clamp
6	0423-404		4	Screw, Cap	14	0673-618		2	Bumper, Propeller Shaft
7	0402-966		1	Boot, Shaft	15	1402-092		1	Shaft, Propeller
8	1402-026		2	Spring	16	2502-088	X	1	Gearcase, Rear



FRONT DRIVE GEARCASE ASSEMBLY

0745-863

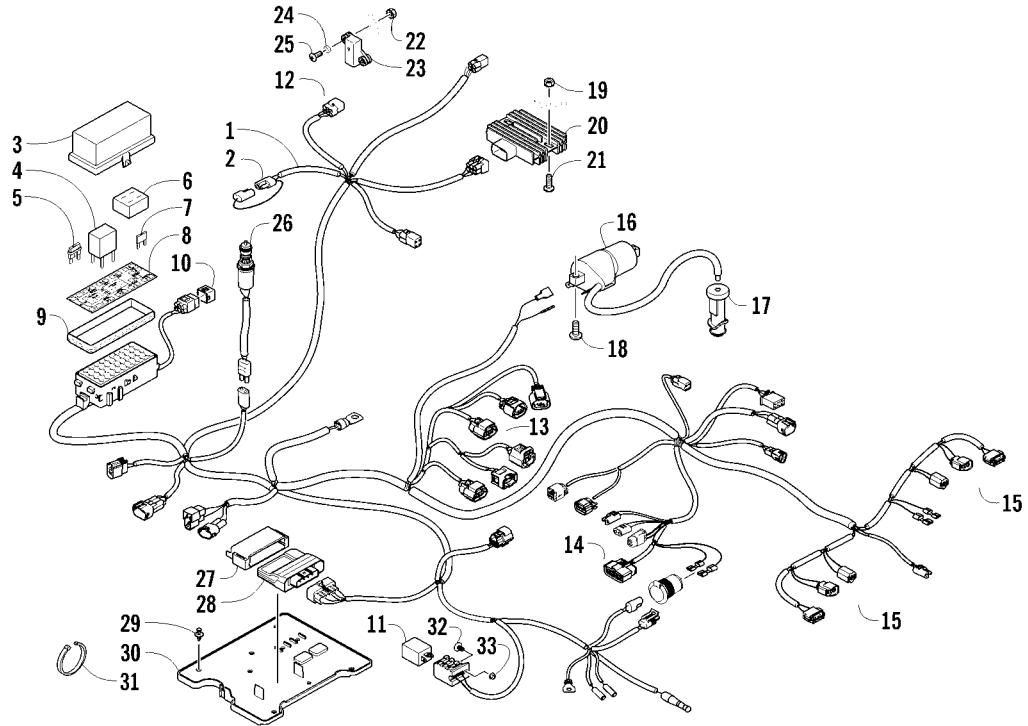
Ref	Part No.	New	Qty	Description	Ref	Part No.	New	Qty	Description
-	2502-091	X	1	Complete Front Drive Gearcase Assembly	32	0402-328		1	Bearing
1	1502-083		1	Shaft, Propeller - Assembly (inc. 2-6)	33	0402-411		1	Pin, Dowel
2	0423-411		1	● Clamp	34	1402-210		1	Plug, Magnetic (inc. one No. 35)
3	0402-985		1	● Boot, Propeller Shaft	35	0423-153		2	● O-Ring
4	0423-393		1	● Clamp	36	0423-149		1	O-Ring
5	1402-045		1	● Shaft, Output	37	0402-393		1	Bearing
6	1502-085		1	● Shaft, Input	38	0402-405		AR	Shim, 41 x 49 x 1.3 mm
7	1402-011		1	Seal		0402-406		AR	Shim, 41 x 49 x 1.4 mm
8	0423-423		1	Ring, Retaining		0402-407		AR	Shim, 41 x 49 x 1.5 mm
9	1502-237		1	Bracket, Actuator		0402-408		AR	Shim, 41 x 49 x 1.6 mm
10	1502-909		1	Actuator (inc. 11)		0402-409		AR	Shim, 41 x 49 x 1.7 mm
11	1402-981		1	● O-Ring	39	1502-859		1	Gear, Ring - 34T
12	0423-892		1	O-Ring	40	1402-074		AR	Shim, 61 x 69 x 1.3 mm
13	0423-396		3	Screw, Self-Tapping		1402-075		AR	Shim, 61 x 69 x 1.4 mm
14	1402-043		1	Bearing		1402-076		AR	Shim, 61 x 69 x 1.5 mm
15	0423-118		11	Screw, Self-Tapping		1402-077		AR	Shim, 61 x 69 x 1.6 mm
16	0502-528		1	Housing, Pinion		1402-078		AR	Shim, 61 x 69 x 1.7 mm
17	0402-947		1	Gasket, Flange	41	2502-104	X	1	Cover, Gearcase (inc. one No. 35, 42-52, and one No. 53)
18	0423-417		1	Ring, Retaining	42	1402-053		1	● Bearing
19	0402-997		1	Shaft, Selector	43	0502-413		1	● Flange, Bearing
20	0423-402		1	Ring, Retaining	44	1402-079		1	● Pin, Parallel
21	0402-998		1	Fork, Selector	45	1402-042		1	● Collar, Sliding
22	0402-417		1	Shaft, Shuttle	46	1402-054		1	● Fork
23	0423-147		1	O-Ring	47	1402-058		2	● Ring, Retaining
24	0402-999		1	Spring, Return	48	1402-057		1	● Spring
25	0402-413		1	Coupler, Drive	49	1402-063		1	● Spring
26	1423-067		1	Ring, Retaining	50	1402-656		1	● Shaft, Lock
27	1502-851		1	Gear, Pinion - Assembly - 11T (inc. 28-29)	51	1402-211		1	● Plug, Oil Level (inc. one No. 35)
28	1402-977		1	● Collar, Retaining	52	1402-056		1	● Seal
29	0402-327		1	● Bearing	53	2402-150	X	2	● Seal
30	1502-856		1	Housing, Gearcase	54	0402-333		1	Plug, Fill (inc. 55)
31	2402-160	X	1	Fitting, Elbow	55	0423-154		1	● O-Ring



REAR DRIVE GEARCASE ASSEMBLY

0745-864

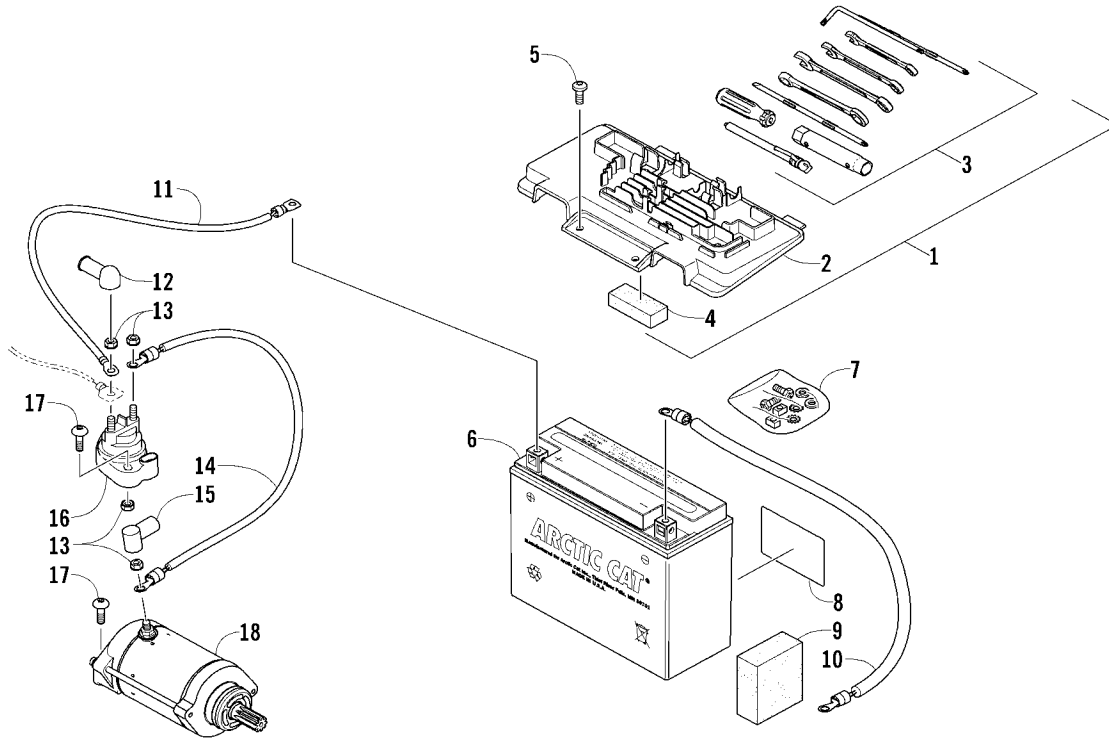
Ref	Part No.	New	Qty	Description	Ref	Part No.	New	Qty	Description
-	2502-088	X	1	Complete Rear Drive Gearcase Assembly	12	0402-333		1	Plug, Magnetic (inc. 13)
1	1502-896		1	Housing, Gearcase	13	0423-154		1	● O-Ring
2	2402-162	X	1	Fitting, Elbow	14	1402-211		1	Plug, Oil Level (inc. one No. 15)
3	2402-150	X	2	Seal	15	0423-153		2	● O-Ring
4	0402-393		2	Bearing	16	1402-210		1	Plug, Fill (inc. one No. 15)
5	1402-033		1	Gear, Ring - 34T	17	0402-411		1	Pin, Dowel
6	0402-405	AR		Shim, 41 x 49 x 1.3 mm	18	0402-328		1	Bearing
	0402-406	AR		Shim, 41 x 49 x 1.4 mm	19	1502-851		1	Gear, Pinion - Assembly - 11T (inc. 20-21)
	0402-407	AR		Shim, 41 x 49 x 1.5 mm	20	0402-327		1	● Bearing
	0402-408	AR		Shim, 41 x 49 x 1.6 mm	21	1402-977		1	● Collar, Retaining
	0402-409	AR		Shim, 41 x 49 x 1.7 mm	22	1423-067		1	Ring, Retaining
7	0423-149		1	O-Ring	23	0402-982		1	Washer, Wave
8	1502-897		1	Cover, Gearcase	24	0402-981		1	Collar, Shaft
9	0402-429	AR		Shim, 6.3 x 18 x 1.3 mm	25	0402-947		1	Gasket, Flange
	0402-430	AR		Shim, 6.3 x 18 x 1.4 mm	26	0502-529		1	Housing, Pinion
	0402-431	AR		Shim, 6.3 x 18 x 1.5 mm	27	0423-417		1	Ring, Retaining
	0402-432	AR		Shim, 6.3 x 18 x 1.6 mm	28	1402-043		1	Bearing
	0402-433	AR		Shim, 6.3 x 18 x 1.7 mm	29	0423-423		1	Ring, Retaining
10	0402-326		1	Button, Thrust	30	1402-011		1	Seal
11	0423-118		11	Screw, Self-Tapping	31	1502-085		1	Shaft, Input



WIRING HARNESS ASSEMBLY

0745-420

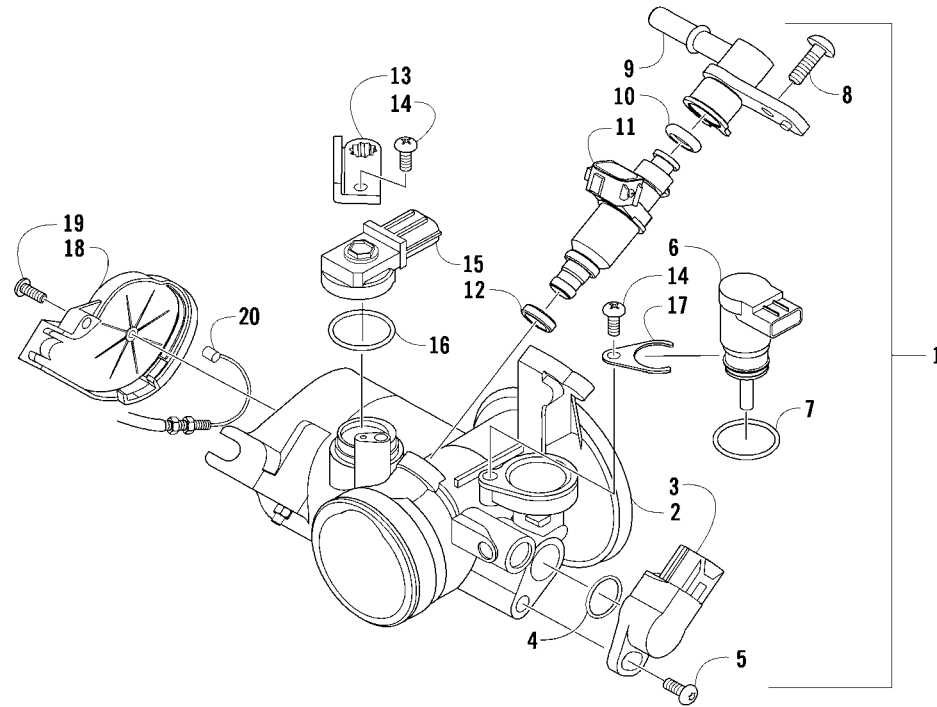
Ref	Part No.	New Qty	Description	Ref	Part No.	New Qty	Description
1	0486-371	1	Harness, Main (inc. 2-10)	16	0824-043	1	Coil, Ignition
2	0486-164	1	● Tether, Accessory Connector	17	0824-049	1	Cap, Spark Plug
3	0430-085	1	● Cover, Fuse Block	18	8476-620	2	Screw, Machine
4	0430-045	6	● Relay (4-Pin) - 20 Amp	19	0623-038	2	Nut w/Washer
5	0430-034	2	● Diode	20	0824-037	1	Regulator, Voltage
6	0430-037	1	● Holder, Fuse	21	8476-625	2	Screw, Machine
7	0430-032	5	● Fuse - 10 Amp	22	0423-493	2	Nut w/Washer
	0430-031	4	● Fuse - 15 Amp	23	0409-064	1	Sensor, Tilt
	0430-030	3	● Fuse - 30 Amp	24	0123-802	2	Washer
8	2411-213	1	● Decal, Fuse Block	25	8468-425	2	Screw, Machine
9	0430-086	1	● Seal	26	0409-089	1	Switch, Brake - Assembly
10	0430-097	1	● Cover, Diagnostics Connector	27	0430-076	1	Cushion, ECM
11	0430-049	1	Flasher	28	0530-030	1	ECM
12	1436-416	1	Repair Kit, Connector - Tilt Sensor	29	0623-362	3	Rivet, Reinstallable
13	1436-417	1	Repair Kit, Connector - Idle Speed Control	30	2406-643	1	Tray, Electrical
14	1436-415	1	Repair Kit, Connector - LCD Gauge	31	0123-788	AR	Tie, Cable - 8 in.
15	1436-424	AR	Repair Kit, Connector - Headlight/Turn Signal/Position		0123-903	AR	Tie, Cable - 11.5 in.
				32	8476-516	1	Screw, Machine
				33	8427-502	1	Nut, Lock



BATTERY AND STARTER ASSEMBLY

0746-852

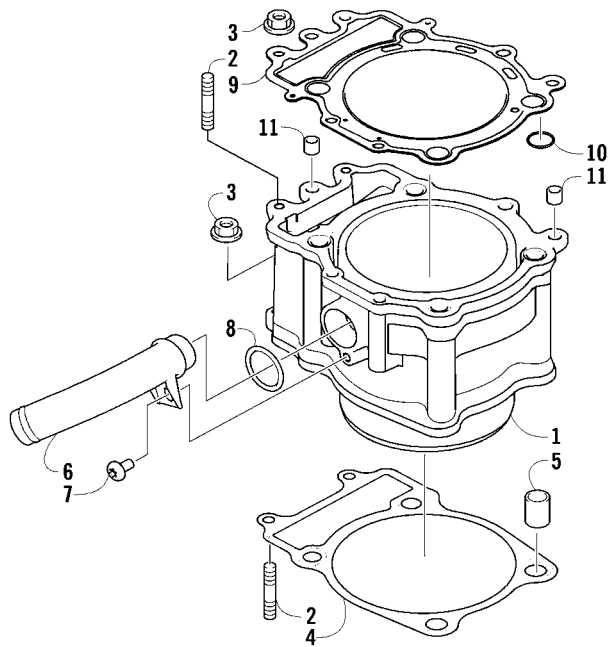
Ref	Part No.	New	Qty	Description	Ref	Part No.	New	Qty	Description
1	5993-040		1	Battery Cover/Tool Tray Assembly (inc. 2-4)	10	0445-063		1	Cable, Battery/Ground
2	4406-136		1	● Cover, Battery	11	0445-062		1	Cable, Battery/Solenoid
3	0444-122		1	● Kit, Tool	12	0645-327		1	Boot, Terminal
4	0417-016		1	● Pad, Battery	13	0623-038		5	Nut w/Washer
5	8476-620		2	Screw, Machine	14	0445-064		1	Cable, Solenoid/Starter (inc. 15)
6	0645-480		1	Battery Assembly (inc. 7-8)	15	0645-019		1	● Boot, Terminal
7	0445-082		1	● Kit, Hardware	16	0445-058		1	Solenoid
8	0645-430		1	● Decal, Warning	17	8476-625		4	Screw, Machine
9	0417-012		1	Foam, Battery	18	0825-024		1	Motor, Starter - Assembly



THROTTLE BODY ASSEMBLY

0742-670

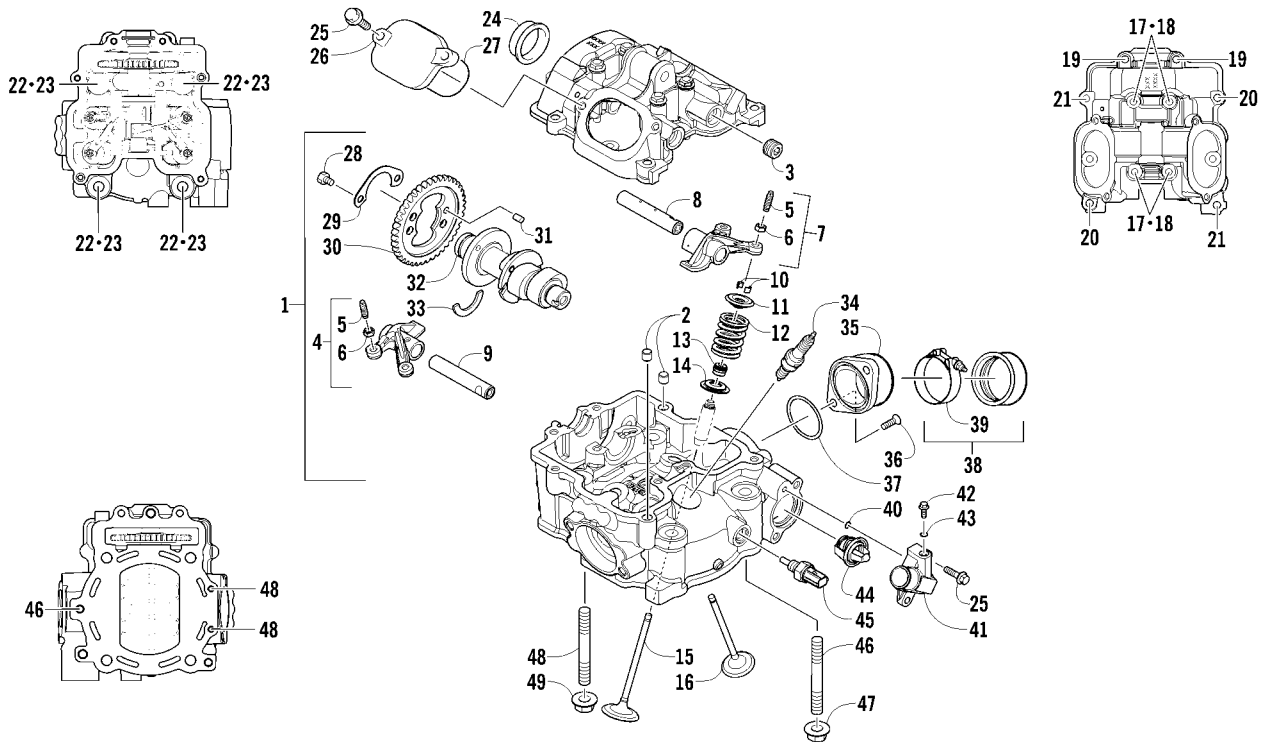
Ref	Part No.	New Qty	Description	Ref	Part No.	New Qty	Description
1	0470-753	1	Throttle - Assembly (inc. 2-19)	11	0470-762	1	● Injector, Fuel
2	-	1	● Throttle Body - Not Serviced Individually	12	0470-768	1	● Seal
3	0430-072	1	● Sensor, Throttle Position	13	5507-227	1	● Bracket, MAP Sensor
4	5507-234	1	● O-Ring	14	5507-117	2	● Screw, Machine
5	5507-231	1	● Screw, Machine	15	0430-073	1	● Sensor, MAP
6	0430-074	1	● Valve, ISC	16	5507-232	1	● O-Ring
7	5507-233	1	● O-Ring	17	5507-229	1	● Plate, ISC Valve
8	5507-238	1	● Screw, Machine	18	5507-223	1	● Cover
9	0470-687	1	● Rail, Fuel	19	5507-037	1	● Screw, Machine
10	0470-767	1	● O-Ring	20	0487-057	1	Cable, Throttle



CYLINDER ASSEMBLY

0743-952

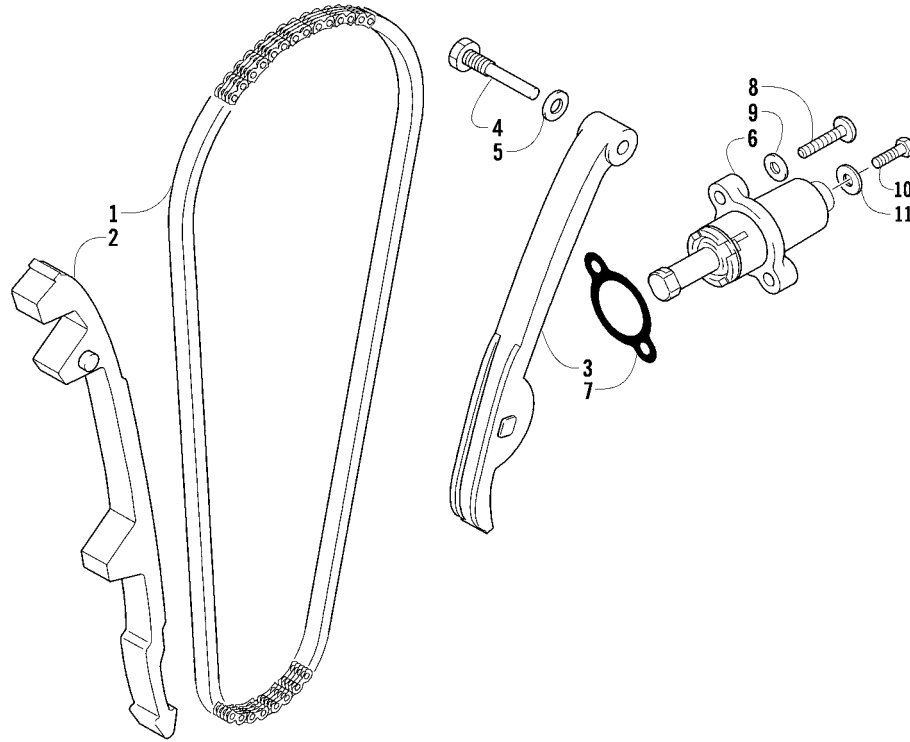
Ref	Part No.	New Qty	Description	Ref	Part No.	New Qty	Description
1	0804-060	1	Cylinder	7	8468-612	1	Screw, Machine
2	0827-002	4	Bolt, Stud	8	0830-007	1	O-Ring
3	8424-604	4	Nut	9	0830-112	1	Gasket, Cylinder Head
4	0830-111	1	Gasket, Base	10	0830-113	4	O-Ring
5	0829-002	2	Pin, Dowel	11	0829-062	2	Pin, Dowel
6	0804-047	1	Union, Coolant Hose				



CYLINDER HEAD AND CAMSHAFT/VALVE ASSEMBLY

0745-419

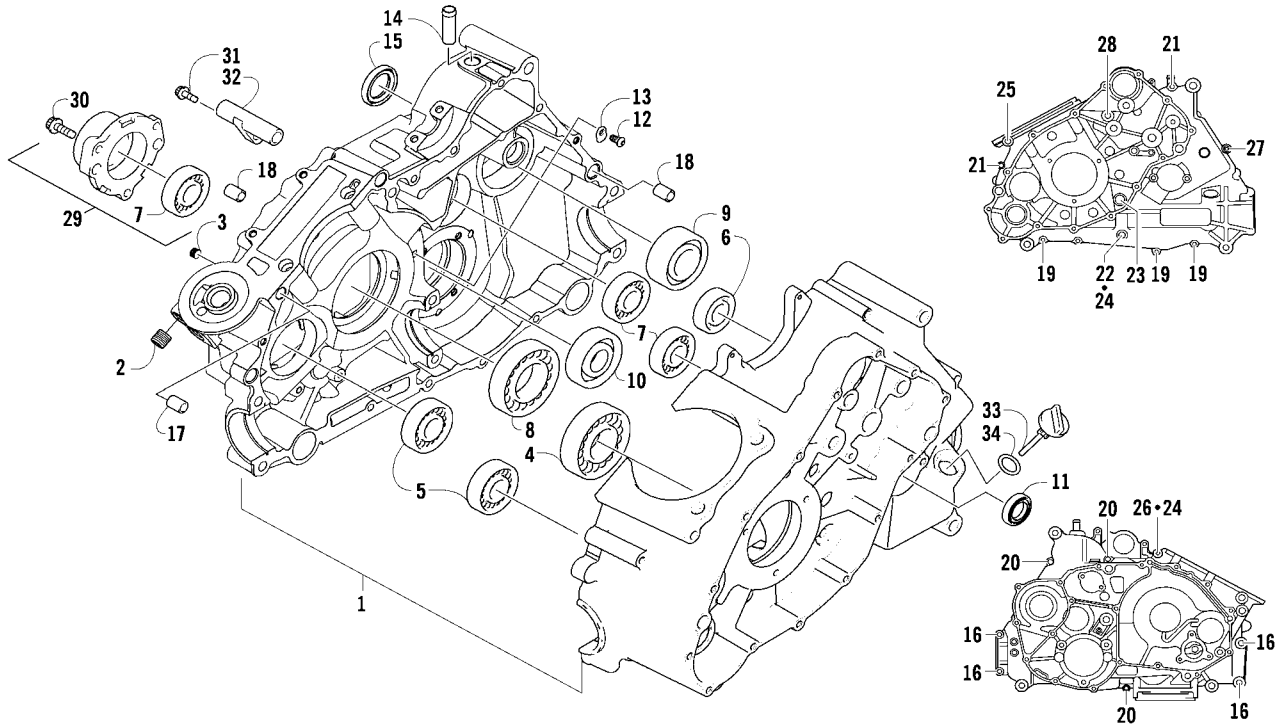
Ref	Part No.	New	Qty	Description	Ref	Part No.	New	Qty	Description
1	0808-226	X	1	Head, Cylinder - Assembly (inc. 2-17)	25	0826-007		6	Screw, Cap
2	0829-062		2	● Pin, Dowel	26	0808-003		2	Cap, Inspection
3	0831-092		2	● Plug, Shaft	27	0830-004		2	O-Ring
4	0809-319	X	1	● Arm, Valve Rocker - Exhaust (inc. two No. 5-6)	28	0826-034		2	Screw, Cap
5	0809-240		4	●● Screw, Adjuster	29	0828-004		1	Plate, Retainer
6	0827-059		4	●● Nut	30	0809-212		1	Sprocket
7	0809-318	X	1	● Arm, Valve Rocker - Intake (inc. two No. 5-6)	31	0829-049		1	Pin, Dowel
8	0809-241		1	● Shaft, Rocker Arm - Intake	32	0809-245		1	Camshaft
9	0809-242		1	● Shaft, Rocker Arm - Exhaust	33	0809-003		1	C-Ring
10	0809-233		8	● Cotter, Valve	34	0217-799		1	Spark Plug - CPR8E
11	0809-232		4	● Retainer, Spring	35	0470-668		1	Flange, Intake Manifold
12	0809-231		4	● Spring, Valve	36	0826-008		2	Screw, Machine
13	0830-186		4	● Seal, Oil	37	0830-090		1	O-Ring
14	0809-215		4	● Seat, Spring - Valve	38	0437-069		1	Boot (inc. 39)
15	0809-228		2	● Valve, Intake	39	1423-041		1	● Clamp
16	0809-229		2	● Valve, Exhaust	40	0830-168		1	O-Ring
17	0826-149		4	● Screw, Cap	41	0808-208		1	Cover, Thermostat (inc. 42-43)
18	0830-155		4	Gasket	42	8408-512		1	● Screw, Cap
19	0826-002		2	Screw, Cap	43	0423-182		1	● O-Ring
20	0826-005		2	Screw, Cap	44	0808-078		1	Thermostat
21	0826-006		2	Screw, Cap	45	0808-124		1	Sensor, Engine Coolant Temperature
22	0808-037		4	Screw, Cap	46	0827-031		1	Bolt, Stud
23	0830-147		4	Washer	47	8424-804		1	Nut
24	0808-077		1	Plug, Cylinder Head	48	0827-054		2	Bolt, Stud
					49	8424-604		2	Nut



CAM CHAIN ASSEMBLY

0732-308

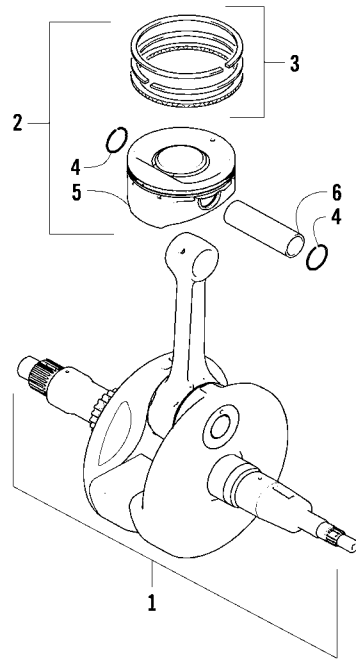
Ref	Part No.	New Qty	Description	Ref	Part No.	New Qty	Description
1	0810-001	1	Chain, Cam	7	0830-018	1	Gasket
2	0810-002	1	Guide, Chain	8	8468-625	2	Screw, Machine
3	0810-003	1	Tensioner, Chain	9	0830-107	2	Gasket
4	0826-036	1	Pivot, Tensioner	10	8400-610	1	Screw, Cap
5	0830-025	1	Washer, Crush	11	0828-129	1	Washer
6	0810-004	1	Adjuster, Tensioner - Assembly				



CRANKCASE ASSEMBLY

0743-953

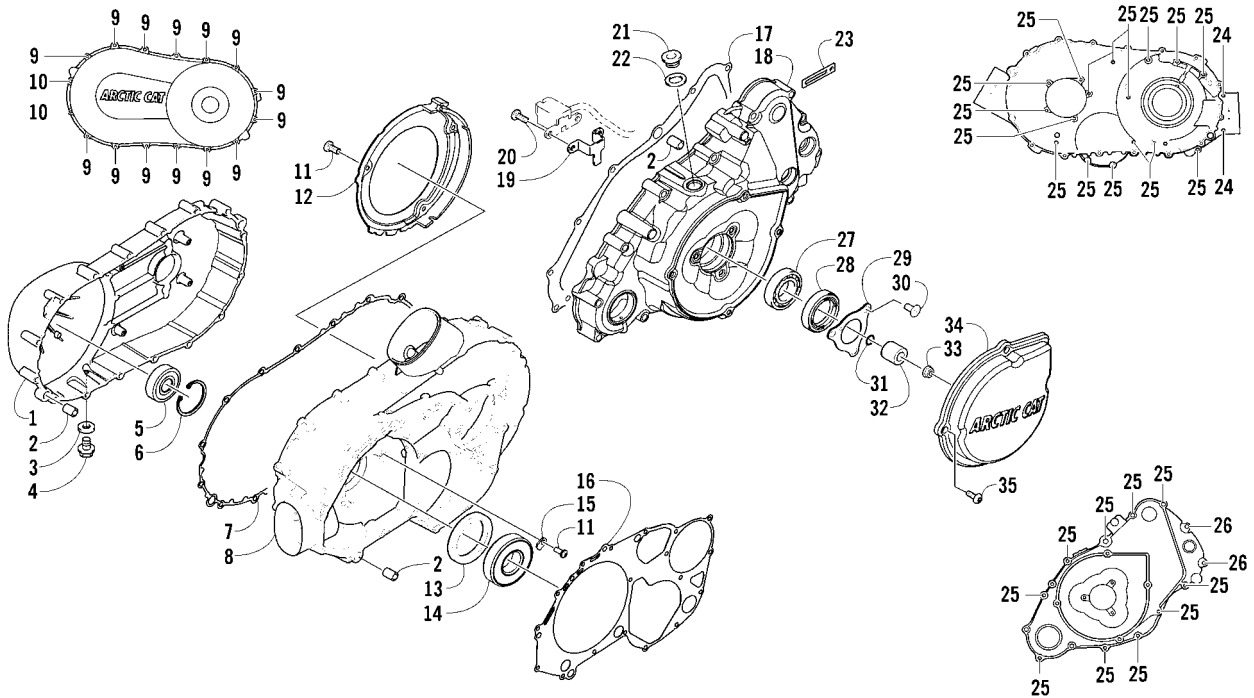
Ref	Part No.	New Qty	Description	Ref	Part No.	New Qty	Description
1	0801-151	1	Crankcase Assembly (inc. 2-15)	19	8468-645	3	Screw, Machine
2	0812-064	2	● Plug	20	8468-655	3	Screw, Machine
3	0801-002	1	● Plug	21	8468-675	2	Screw, Machine
4	0832-043	1	● Bearing	22	8412-860	1	Screw, Cap
5	0832-005	2	● Bearing	23	0826-017	1	Screw, Cap
6	0832-049	1	● Bearing	24	0830-008	2	Gasket
7	0832-050	3	● Bearing	25	0826-019	1	Screw, Cap
8	0832-042	1	● Bearing	26	0826-018	1	Screw, Cap
9	0832-048	1	● Bearing	27	8468-695	1	Screw, Machine
10	0832-077	1	● Bearing	28	8468-680	1	Screw, Machine
11	0822-052	1	● Seal, Countershaft	29	0801-029	1	Housing, Secondary Shaft (inc. one No. 7)
12	0826-100	4	● Screw, Machine	30	0826-105	3	Screw, Cap
13	0822-010	4	● Retainer, Bearing	31	0826-038	1	Screw, Cap
14	0801-028	1	● Pipe, Breather	32	0801-069	1	Pipe, Breather
15	0830-035	1	● Seal, Driveshaft	33	0801-179	1	Stick, Oil Level
16	8412-850	4	Screw, Cap	34	0830-010	1	O-Ring
17	0829-003	1	Pin, Dowel				
18	0829-002	5	Pin, Dowel				



CRANKSHAFT AND PISTON ASSEMBLY

0739-932

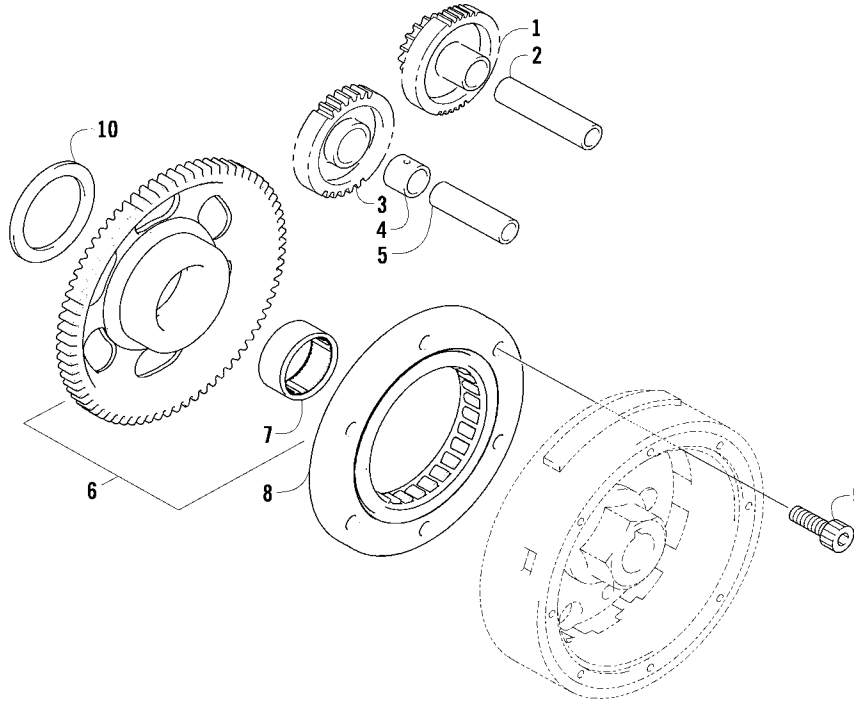
Ref	Part No.	New Qty	Description	Ref	Part No.	New Qty	Description
1	0805-326	1	Crankshaft Assembly	4	0831-001	2	● Circlip, Piston Pin
2	0805-297	1	Piston Set (inc. 3-6)	5	0805-296	1	● Piston
3	0805-132	1	● Ring, Piston - Set	6	0805-210	1	● Pin, Piston



CLUTCH/V-BELT/MAGNETO COVER ASSEMBLY

0746-612

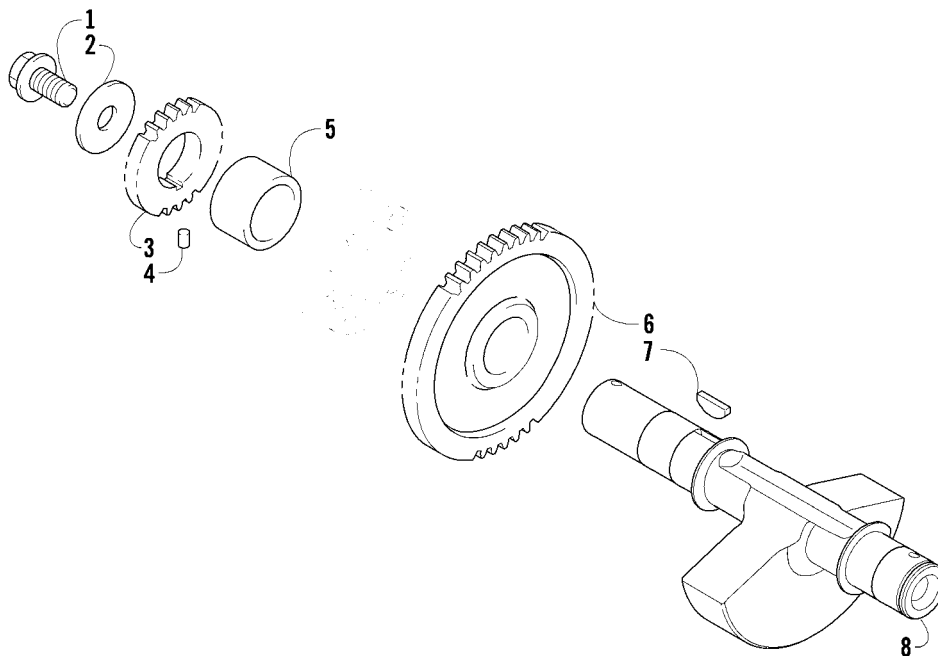
Ref	Part No.	New Qty	Description	Ref	Part No.	New Qty	Description
1	0806-089	1	Cover, V-Belt	19	0802-071	1	● Clamp, Routing
2	0829-002	6	Pin, Dowel	20	8470-510	2	Screw, Machine
3	0830-013	1	Washer, Crush	21	0826-155	1	Plug
4	8408-812	1	Screw, Cap	22	0830-015	1	Washer, Crush
5	0832-060	1	Bearing	23	1623-984	1	Clamp, Routing
6	0831-078	1	Ring, Retaining	24	8468-675	2	Screw, Machine
7	0830-174	1	Gasket, V-Belt Cover	25	8468-640	26	Screw, Machine
8	0806-086	1	Cover, Clutch	26	8468-625	2	Screw, Machine
9	8468-645	14	Screw, Machine	27	1602-981	1	Bearing
10	8468-655	2	Screw, Machine	28	0830-158	1	Seal
11	0826-029	5	Screw, Machine	29	0805-008	1	Retainer, Seal
12	0806-048	1	Plate, Air Intake	30	0826-031	3	Screw, Machine
13	0830-188	1	Seal	31	0830-108	1	O-Ring
14	0832-009	1	Bearing	32	0820-061	1	Bushing
15	0822-010	2	Retainer, Bearing	33	0827-008	1	Nut
16	0830-116	1	Gasket, Clutch Cover	34	0820-062	1	Cover, Magneto
17	0830-128	1	Gasket, Magneto Cover	35	8468-616	4	Screw, Machine
18	0806-127	1	Cover, Magneto - Assembly (inc. 19)				



STARTER CLUTCH ASSEMBLY

0739-940

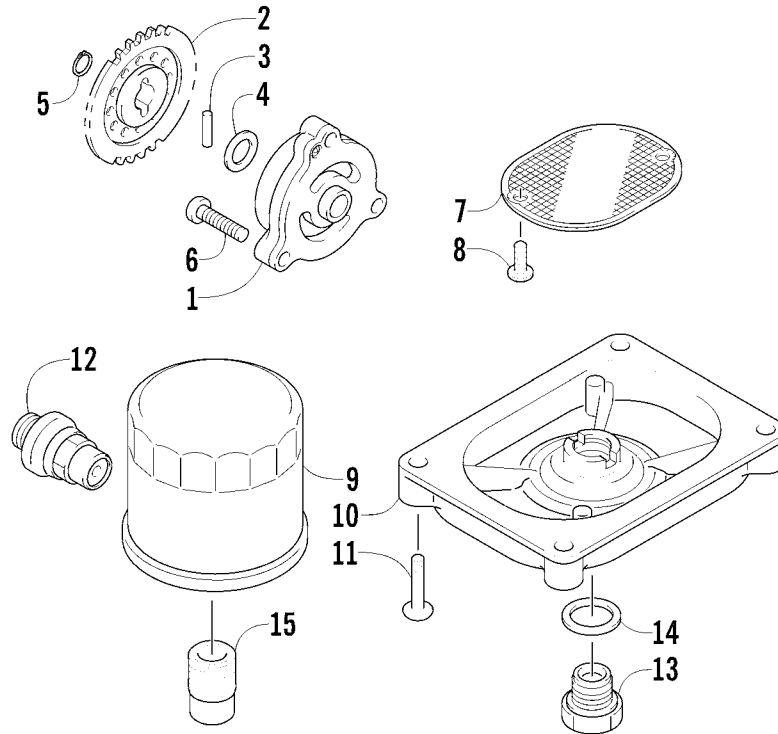
Ref	Part No.	New Qty	Description	Ref	Part No.	New Qty	Description
1	0815-001	1	Gear, Starter Idler - No. 1	6	0815-004	1	Gear, Starter Clutch (inc. 7)
2	0829-031	1	Shaft, Starter Gear	7	0832-079	1	● Bearing
3	0815-002	1	Gear, Starter Idler - No. 2	8	0802-035	1	Clutch, Starter
4	0815-003	1	Spacer, Starter Idler Gear No. 2	9	0826-069	6	Screw, Cap
5	0829-032	1	Shaft, Starter Gear	10	0828-094	1	Washer



CRANK BALANCER ASSEMBLY

0739-941

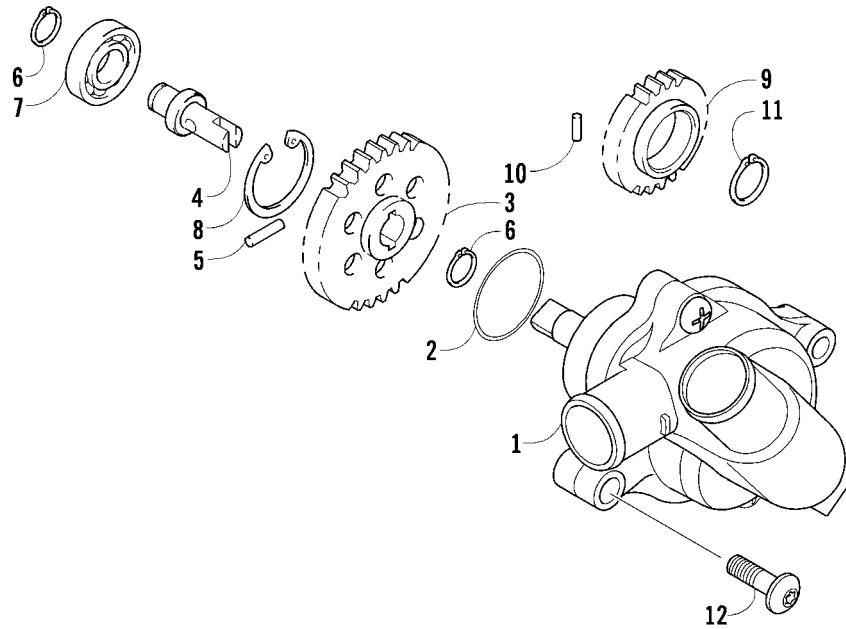
Ref	Part No.	New Qty	Description	Ref	Part No.	New Qty	Description
1	0826-033	1	Screw, Cap	5	0811-004	1	Spacer
2	0828-003	1	Washer	6	0811-034	1	Gear, Driven
3	0811-003	1	Gear, Oil Pump Drive	7	0829-006	1	Key
4	0829-007	1	Pin, Dowel	8	0805-304	1	Balancer, Crank



OIL FILTER/PUMP ASSEMBLY

0744-012

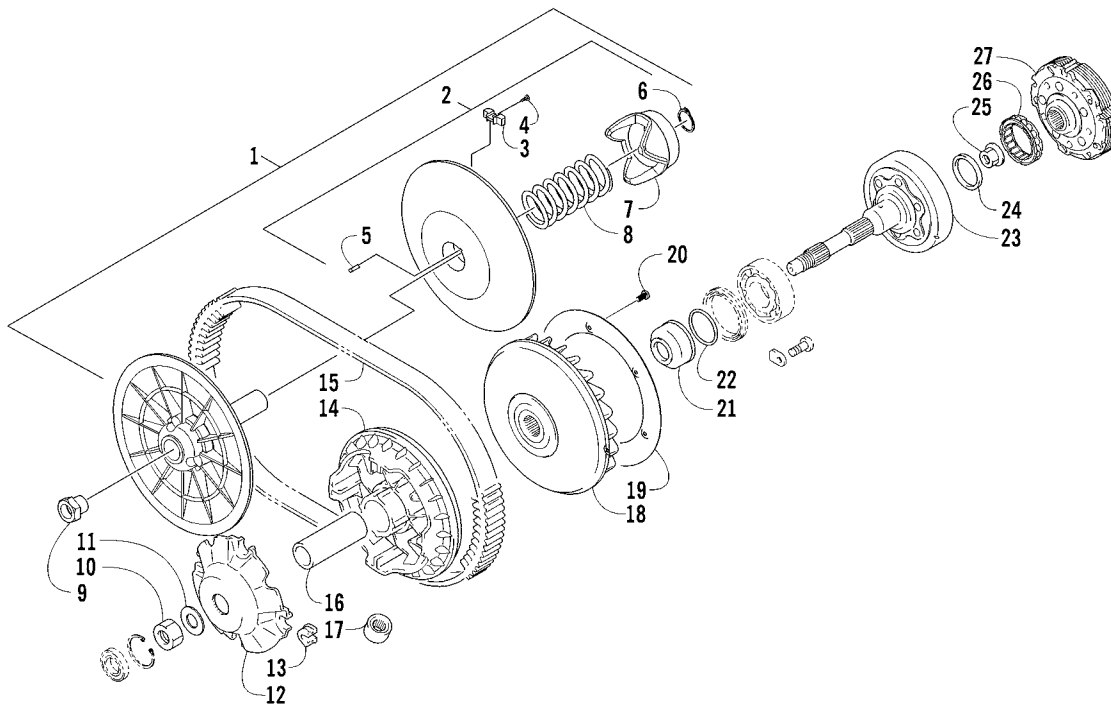
Ref	Part No.	New Qty	Description	Ref	Part No.	New Qty	Description
1	0812-023	1	Pump, Oil	9	0812-034	1	Filter, Oil
2	0812-083	1	Gear, Driven	10	0812-053	1	Cap, Oil Strainer
3	0829-009	1	Pin	11	8468-625	4	Screw, Machine
4	0828-007	1	Washer	12	0812-007	1	Valve, Oil-Relief - Assembly
5	0831-002	1	Ring, Retaining	13	0812-006	1	Plug, Drain
6	0826-039	3	Screw, Machine	14	0830-017	1	Gasket, Drain Plug
7	0812-057	1	Strainer, Oil	15	0812-066	1	Union, Filter
8	0826-040	2	Screw, Machine				



WATER PUMP ASSEMBLY

0739-945

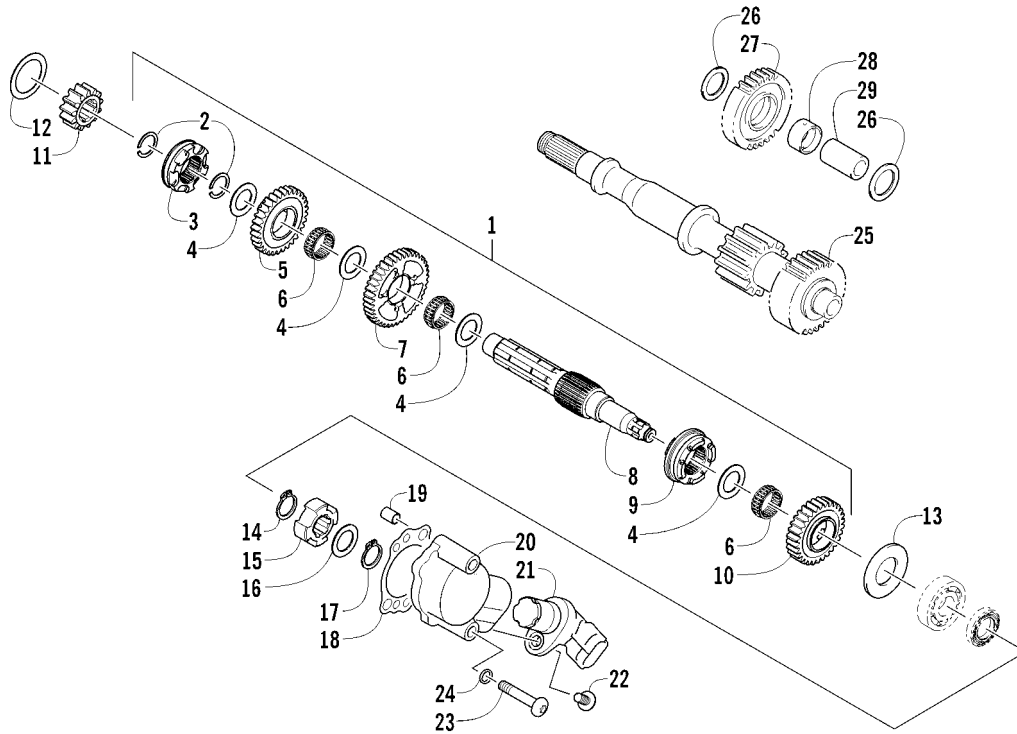
Ref	Part No.	New Qty	Description	Ref	Part No.	New Qty	Description
1	0813-001	1	Pump, Water - Assembly (inc. 2)	7	0832-046	1	Bearing, Shaft
2	0830-029	1	● O-Ring	8	0831-004	1	Ring, Retaining
3	0813-004	1	Gear, Driven	9	0811-003	1	Gear, Water Pump Drive
4	0813-005	1	Shaft, Driven Gear	10	0829-007	1	Pin, Alignment
5	0829-009	1	Pin, Driven Gear	11	0831-005	1	Ring, Retaining
6	0831-002	2	Ring, Retaining	12	8468-665	2	Screw, Machine



TRANSMISSION ASSEMBLY

0747-836

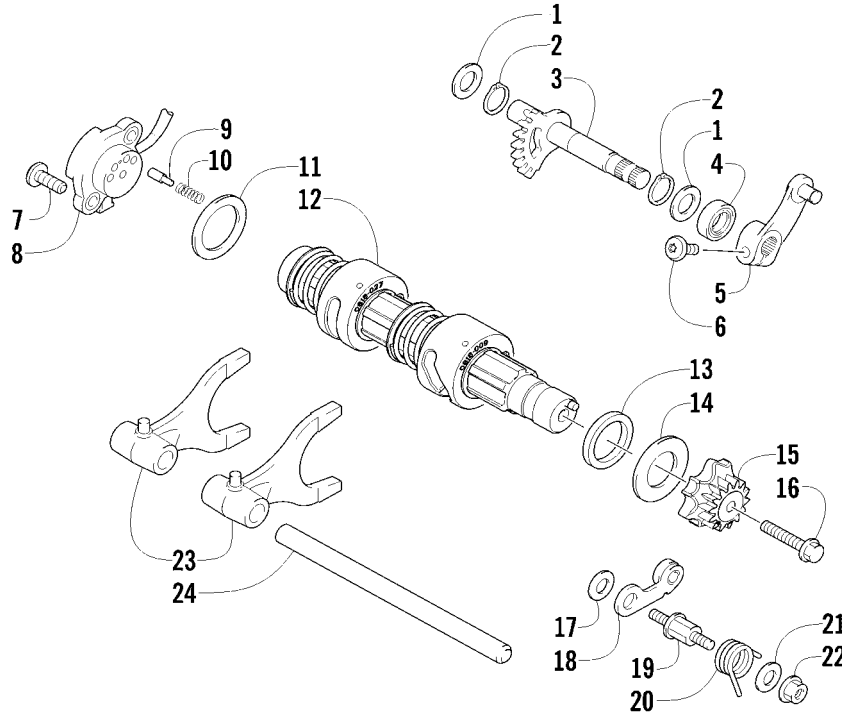
Ref	Part No.	New	Qty	Description	Ref	Part No.	New	Qty	Description
1	0823-432	X	1	Pulley, Driven - Assembly (inc. 2-9)	15	0823-013		1	Belt, Drive
2	0823-456	X	1	● Pulley, Driven - Uncalibrated (inc. 3-6)	16	0823-271		1	Spacer
3	0823-454	X	3	●● Shoe, Cam	17	0823-167		8	Roller
4	0823-177		3	●● Screw, Machine	18	0823-272		1	Face, Fixed Drive
5	0823-383	X	1	●● Key	19	0823-131		1	Shroud, Drive Face
6	0823-455	X	1	●● Ring, Snap - External	20	0623-914		6	Screw, Self-Tapping
7	0823-453	X	1	● Cam	21	0823-015		1	Spacer, Fixed Drive Face
8	0823-377	X	1	● Spring - Black	22	0470-531		1	O-Ring
9	0823-457	X	1	● Nut	23	0821-002		1	Housing, Clutch - Assembly
10	0827-010		1	Nut	24	0830-189		1	Seal
11	0828-106		1	Washer	25	0827-011		1	Nut
12	0823-276		1	Plate, Movable Drive Face	26	0823-018		1	Clutch, One-Way
13	0823-277		4	Damper, Movable Drive Face	27	0823-484	X	1	Clutch, Centrifugal - 6 Plate
14	0823-273		1	Face, Movable Drive					



SECONDARY TRANSMISSION ASSEMBLY

0745-260

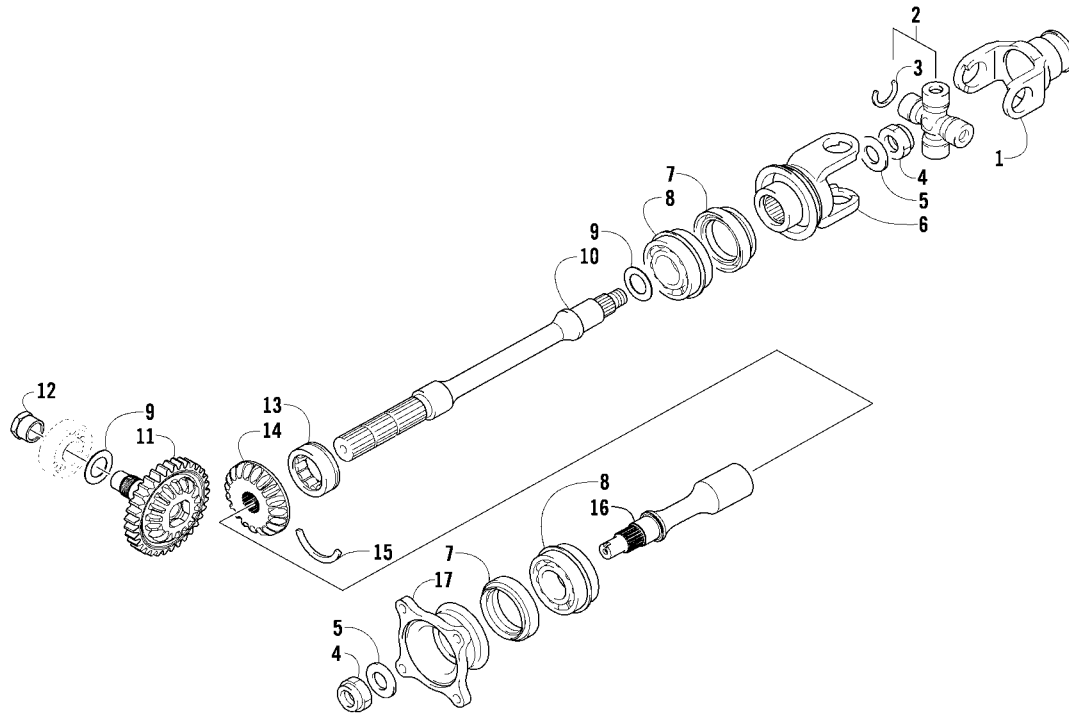
Ref	Part No.	New Qty	Description	Ref	Part No.	New Qty	Description
1	0822-124	1	Countershaft Assembly (inc. 2-10)	16	0828-069	1	Washer, Thrust
2	0831-085	2	● Ring, Retaining	17	0831-039	1	Ring, Retaining
3	0822-120	1	● Gear Select, Reverse	18	0830-129	1	Gasket
4	0822-121	4	● Shim	19	0829-023	2	Pin, Dowel
5	0822-119	1	● Gear, Reverse Driven	20	0822-049	1	Housing, Speedometer Sensor
6	0832-082	3	● Bearing	21	0824-042	1	Sensor, Speedometer
7	0822-114	1	● Gear, Driven - Low	22	8468-620	1	Screw, Machine
8	0822-113	1	● Countershaft	23	8468-645	2	Screw, Machine
9	0822-116	1	● Gear Select, Sliding	24	0830-107	2	Gasket
10	0822-115	1	● Gear, Driven - High	25	0822-001	1	Driveshaft
11	0822-125	1	Gear, Drive	26	0828-016	2	Washer, Thrust
12	0828-019	1	Washer, Thrust	27	0822-011	1	Gear, Reverse Idle
13	0828-011	1	Washer	28	0822-012	1	Bushing
14	0831-040	1	Ring, Retaining	29	0822-015	1	Shaft, Reverse Idle
15	0822-050	1	Trigger, Speedometer Sensor				



GEAR SHIFTING ASSEMBLY

0745-773

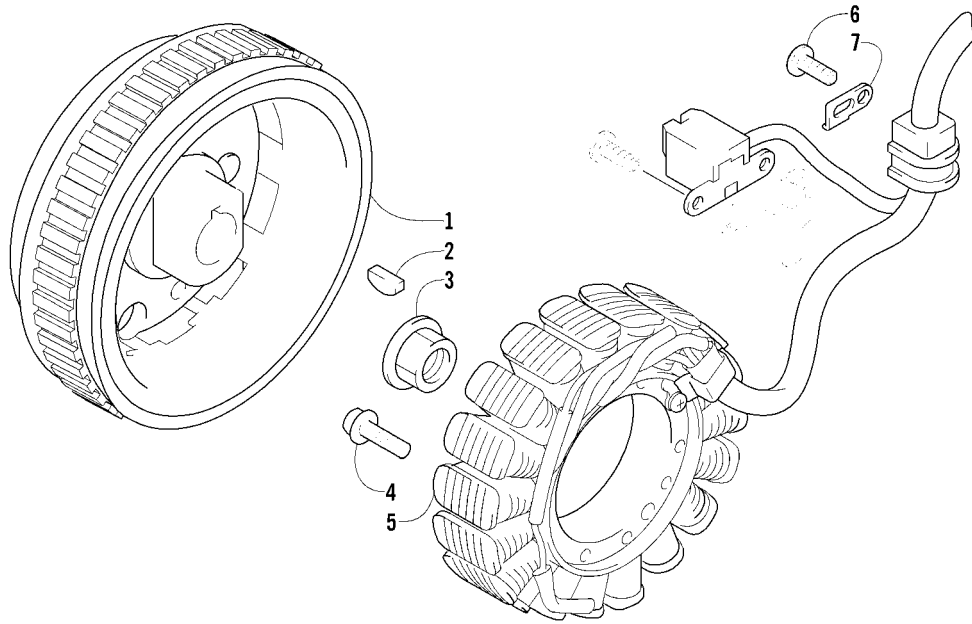
Ref	Part No.	New	Qty	Description	Ref	Part No.	New	Qty	Description
1	0828-036		2	Washer	13	0828-131		1	Spacer
2	0831-010		2	Ring, Retaining	14	0828-037		1	Washer
3	0818-007		1	Shaft, Sub-Gear Shift	15	0818-089		1	Plate, Gear Shift Cam
4	0830-044		1	Seal, Sub-Gear Shift Shaft	16	0826-006		1	Screw, Cap
5	0818-014		1	Arm, Select	17	0828-038		1	Washer
6	8468-620		1	Screw, Machine	18	0818-002		1	Stopper, Cam
7	8470-520		2	Screw, Machine	19	0818-004		1	Support, Cam Stopper
8	0409-090		1	Switch, Gear Position	20	0818-090		1	Spring
9	0818-013		2	Contact	21	0828-035		1	Washer
10	0818-017		2	Spring	22	8424-602		1	Nut
11	0828-040		1	Washer	23	0818-072		2	Fork, Shift
12	0818-046		1	Shaft, Gear Shift - Assembly	24	0818-006		1	Shaft, Shift Fork



SECONDARY DRIVE ASSEMBLY

0743-766

Ref	Part No.	New Qty	Description	Ref	Part No.	New Qty	Description
1	0819-063	1	Yoke, Propeller Shaft Joint	10	0819-115	1	Shaft, Secondary Driven - Front
2	1402-164	1	Joint, Universal - Set (inc. 3)	11	0822-131	1	Gear, Secondary Drive
3	0423-450	4	● Ring, Retaining	12	0827-052	1	Nut
4	0827-013	2	Nut	13	0832-016	1	Bearing
5	0828-020	2	Washer	14	0822-106	1	Gear, Secondary Driven
6	0819-061	1	Yoke, Drive Output - Front	15	0819-011	1	Ring, Driven Bearing
7	0830-043	2	Seal, Oil	16	0819-053	1	Shaft, Secondary Driven - Rear
8	0832-017	2	Bearing	17	0819-005	1	Flange, Output Joint - Rear
9	0828-021	AR	Shim, 25 x 34 x 0.25 mm				
	0828-022	AR	Shim, 25 x 34 x 0.30 mm				
	0828-023	AR	Shim, 25 x 34 x 0.70 mm				
	0828-024	AR	Shim, 25 x 34 x 0.90 mm				
	0828-025	AR	Shim, 25 x 34 x 0.95 mm				
	0828-026	AR	Shim, 25 x 34 x 1.00 mm				
	0828-027	AR	Shim, 25 x 34 x 1.05 mm				
	0828-028	AR	Shim, 25 x 34 x 1.10 mm				
	0828-029	AR	Shim, 25 x 34 x 1.15 mm				



MAGNETO ASSEMBLY

0746-613

Ref	Part No.	New Qty	Description	Ref	Part No.	New Qty	Description
1	0802-048	1	Rotor/Flywheel	5	0802-041	1	Stator - Assembly
2	0829-012	1	Key	6	8470-510	1	Screw, Machine
3	0827-014	1	Nut	7	0802-015	1	Clamp - No. 1
4	8409-632	3	Screw, Cap				

