

**250 2x4**

***(Model No. 99A2J-AP)***

**300 2x4**

***(Model No. 99A2C-AP)***

**300 4x4**

***(Model No. 99A4C-AP)***

1  
9  
9  
9

**ARCTIC CAT<sup>®</sup>**

**ATV**

***Illustrated Parts Manual***

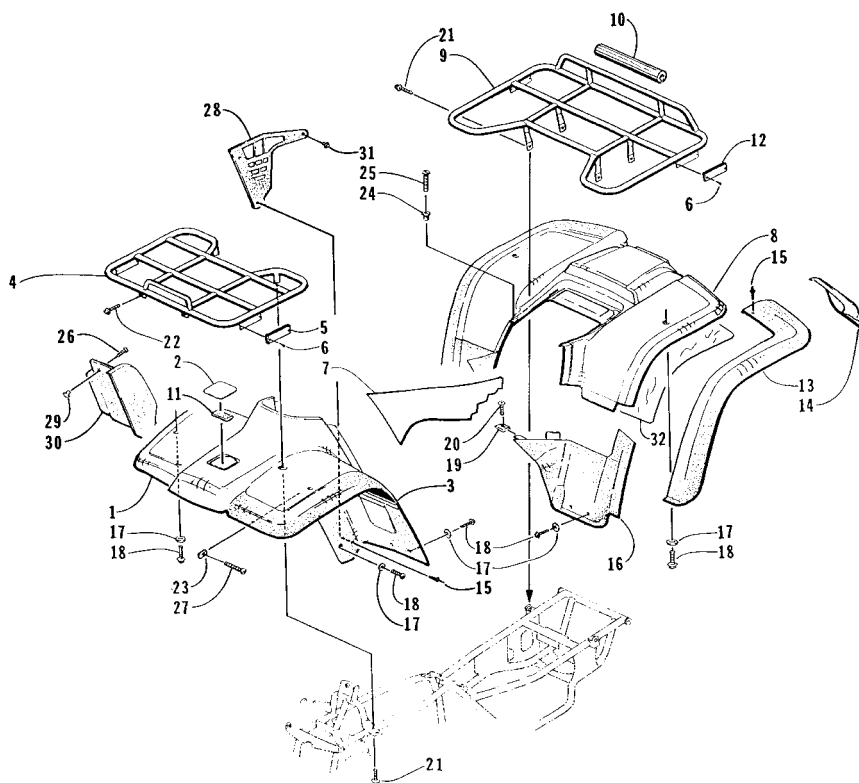
# TABLE OF CONTENTS

## 1999 ATV 250 2x4, 300 2x4, and 300 4x4

(Model No. 99A2J-AP, 99A2C-AP, and 99A4C-AP)

BODY PANEL ASSEMBLY .....	1
TAILLIGHT ASSEMBLY .....	2
DECALS .....	3
FRAME AND RELATED PARTS .....	4
SEAT ASSEMBLY .....	5
STEERING ASSEMBLY .....	6
FRONT SUSPENSION ASSEMBLY .....	7
REAR SUSPENSION ASSEMBLY .....	8
WHEEL AND TIRE ASSEMBLY .....	9
MECHANICAL BRAKE ASSEMBLY .....	10
HYDRAULIC BRAKE CONTROL ASSEMBLY .....	11
HYDRAULIC BRAKE ASSEMBLY .....	12
GAS TANK ASSEMBLY .....	13
REVERSE SHIFT LEVER ASSEMBLY .....	14
AIR INTAKE ASSEMBLY .....	15
SHIFTER ASSEMBLY .....	16
ENGINE AND RELATED PARTS .....	17
OIL COOLER ASSEMBLY .....	18
ELECTRICAL COMPONENTS .....	19
CARBURETOR .....	20
CYLINDER HEAD ASSEMBLY .....	21
CYLINDER ASSEMBLY .....	22
CRANKCASE ASSEMBLY .....	23
CRANKCASE COVER ASSEMBLY .....	24
CRANKSHAFT ASSEMBLY .....	25
STARTER CLUTCH ASSEMBLY .....	26
CAMSHAFT/VALVE ASSEMBLY .....	27
CAM CHAIN ASSEMBLY .....	28
RECOIL STARTER ASSEMBLY .....	29
OIL PUMP ASSEMBLY .....	30
CLUTCH ASSEMBLY .....	31
TRANSMISSION ASSEMBLY .....	32
SECONDARY TRANSMISSION ASSEMBLY .....	33
SECONDARY GEAR/PROPELLER SHAFT ASSEMBLY .....	34
GEAR SHIFTING ASSEMBLY .....	35
DIFFERENTIAL GEAR ASSEMBLY .....	36
DIFFERENTIAL LOCK ASSEMBLY .....	37
STARTER MOTOR ASSEMBLY .....	38
MAGNETO ASSEMBLY .....	39
CONTROL SWITCH HOUSING ASSEMBLY .....	40
THROTTLE CASE ASSEMBLY .....	41

■ **NOTE:** The illustrations used in this Parts Manual are for reference to replacement part numbers only and are not to be used for assembly. For assembly procedures, use Arctic Cat Service Manuals. Underlined part numbers are new for the 1999 model year. For a complete list of related items, refer to the current accessory catalog.

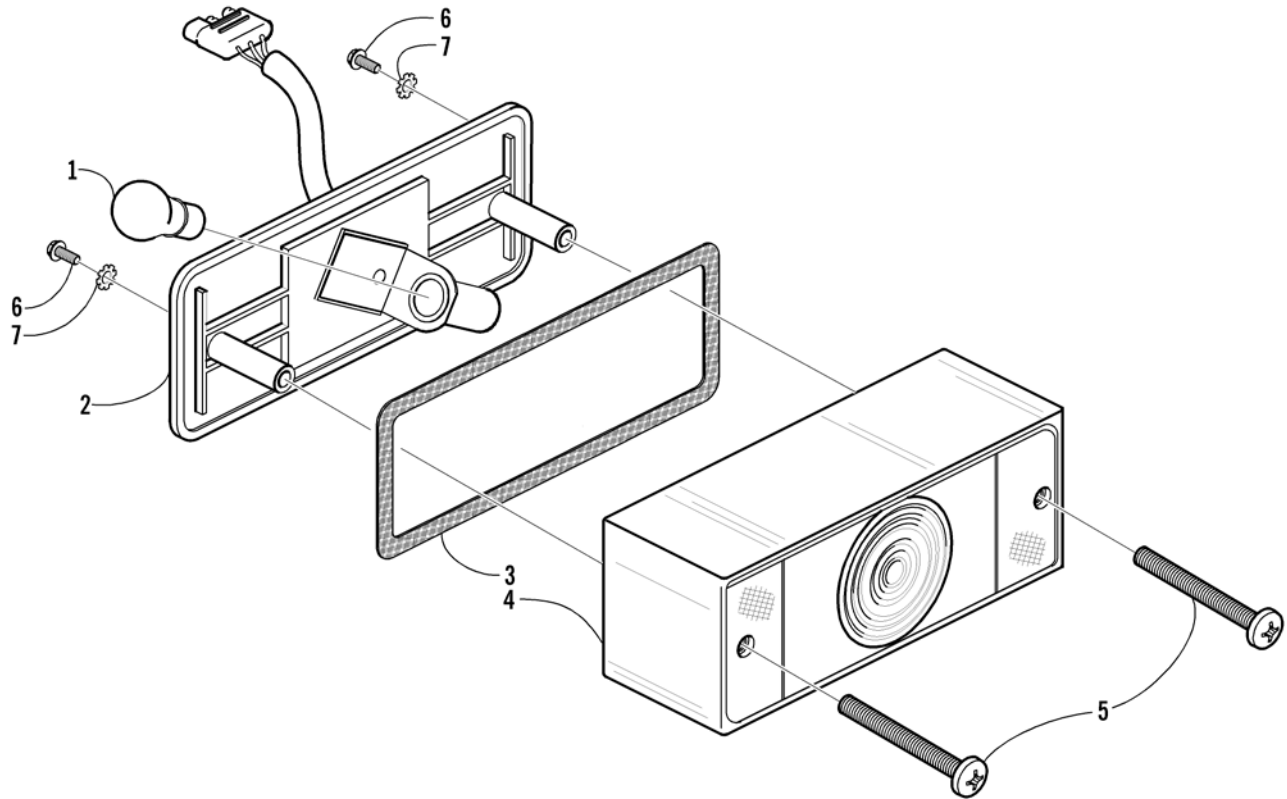


## BODY PANEL ASSEMBLY

0733-613

Ref.	Part No.	Qty.	Description	Ref.	Part No.	Qty.	Description
1	0506-257	1	Panel, Fender - Front (4x4) (Red)	15	0423-046	58	Rivet, Plastic (4x4)
	<del>0506-303</del>	1	Panel, Fender - Front (4x4) (Green)		0423-046	10	Rivet, Plastic (2x4)
	0506-239	1	Panel, Fender - Front (2x4) (Red)	16	0506-160	1	Fender Extension - Rear Right (4x4)
2	0506-153	1	Cover, Access (Red)		0506-161	1	Fender Extension - Rear Left (4x4)
	0506-145	1	Cover, Access (Green)		0406-084	1	Fender Extension - Rear Right (2x4)
3	0506-274	1	Flare - Front Right (4x4)		0406-085	1	Fender Extension - Rear Left (2x4)
	0506-275	1	Flare - Front Left (4x4)	17	0423-010	25	Washer, Body (4x4)
4	0506-191	1	Rack - Front (300)		0423-010	22	Washer, Body (2x4)
	<del>0506-285</del>	1	Rack - Front (250)	18	8474-616	25	Screw, Machine (4x4)
5	0606-526	2	Reflector - Amber		8474-616	22	Screw, Machine (2x4)
6	0623-269	8	Clip, Retaining	19	0423-060	2	Clip, Tinnerman
7	0506-242	1	Panel, Side - Right (Red)	20	0623-309	2	Screw, Self-Tapping
	0506-243	1	Panel, Side - Left (Red)	21	8409-020	6	Screw, Cap
	0506-164	1	Panel, Side - Right (Green)	22	8408-812	2	Screw, Cap
	0506-165	1	Panel, Side - Left (Green)	23	0423-031	2	Nut, Speed
8	0506-258	1	Panel, Fender - Rear (4x4) (Red)	24	0123-010	2	Nut, Expansion
	<del>0506-302</del>	1	Panel, Fender - Rear (4x4) (Green)	25	0423-068	2	Screw, Machine
	0506-245	1	Panel, Fender - Rear (2x4) (Red)	26	8477-610	4	Screw, Machine
9	0506-190	1	Rack - Rear (300)	27	8476-616	2	Screw, Machine
	<del>0506-284</del>	1	Rack - Rear (250)	28	0406-374	2	Panel, Deflector
10	0406-293	1	Wrap, Tube - Rear Rack	29	0423-077	4	T-Nut
11	0417-002	1	Foam, Access Panel	30	0506-272	1	Flare - Front Right (2x4)
12	0606-029	2	Reflector - Red		0506-273	1	Flare - Front Left (2x4)
13	0406-082	1	Flare - Rear Right (4x4)	31	0623-362	2	Rivet, Plastic
	0406-083	1	Flare - Rear Left (4x4)	32	0619-230	AR	Foil, Protective
14	0406-086	1	Mud Flap - Right (4x4)				
	0406-087	1	Mud Flap - Left (4x4)				

1999 ATV 250 2x4  
 1999 ATV 300 2x4 and 300 4x4

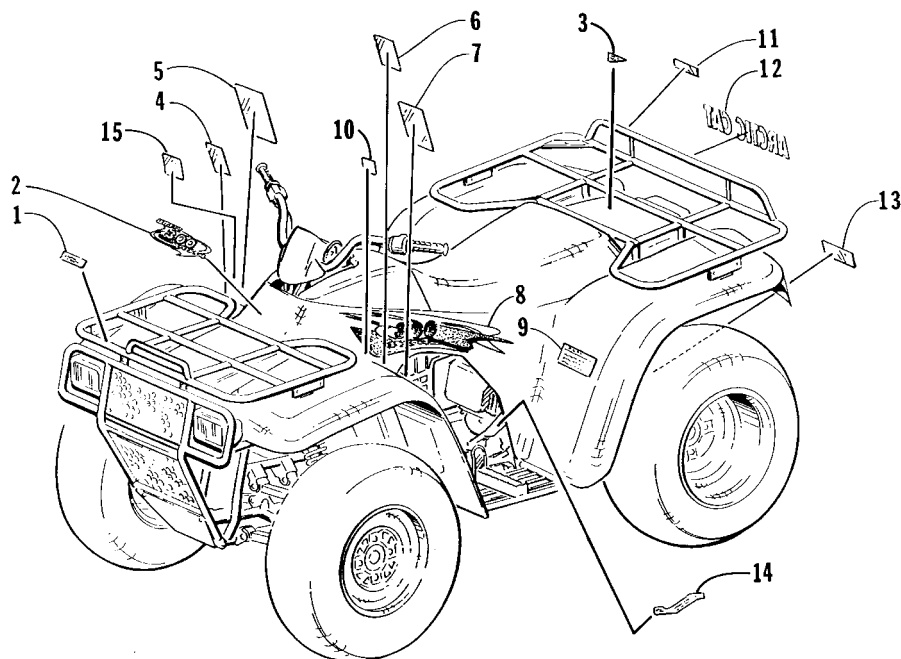


## TAILLIGHT ASSEMBLY

(Complete Taillight Assembly p/n 0409-002)

0732-336

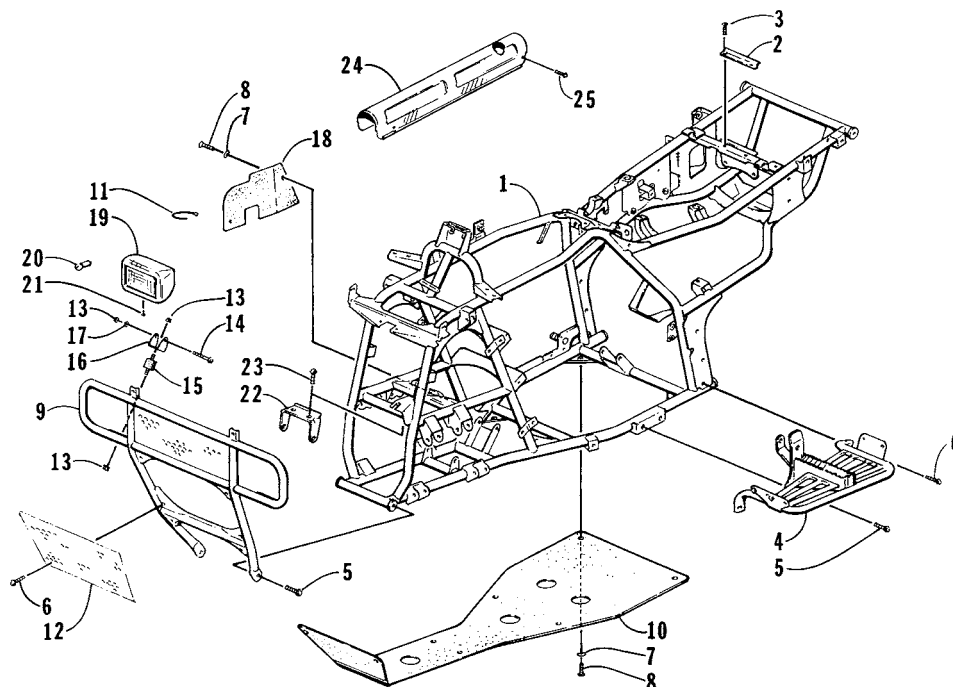
Ref.	Part No.	Qty.	Description	Ref.	Part No.	Qty.	Description
1	0109-460	1	Bulb, Stop - Taillight	5	0409-010	2	Screw, Machine
2	0409-011	1	Taillight w/Socket Assembly	6	0623-301	2	Screw, Self-Tapping
3	0409-012	1	Gasket, Taillight	7	8053-212	2	Washer, Lock - External Tooth
4	0409-007	1	Lens, Taillight				



## DECALS

0733-614

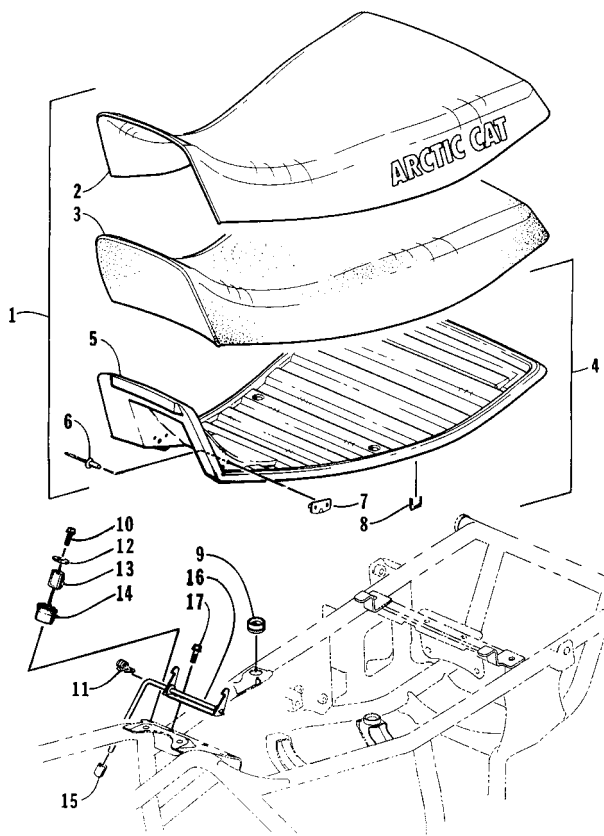
Ref.	Part No.	Qty.	Description	Ref.	Part No.	Qty.	Description
1	0411-082	1	Decal, Warning - Front Rack Load	9	0411-096	1	Decal, Warning - Tire Pressure (4x4) (300)
2	0411-109	1	Decal, Front (4x4) (300) (Red)		0411-089	1	Decal, Warning - Tire Pressure (2x4) (300)
	<u>0411-183</u>	1	Decal, Front (4x4) (300) (Green)		<u>0411-179</u>	1	Decal, Warning - Tire Pressure (2x4) (250)
	0411-108	1	Decal, Front (2x4) (300) (Red)	10	0411-086	1	Decal, Shift Pattern
	<u>0411-178</u>	1	Decal, Front (2x4) (250) (Red)	11	0411-083	1	Decal, Warning - Rear Rack Load
3	3611-002	1	Decal, "Made In U.S.A."	12	0411-043	1	Decal, "Arctic Cat"
4	0411-045	1	Decal, Warning - Turn	13	0411-142	1	Decal, Warning - Towing
5	0411-008	1	Decal, Warning Reverse/Pre Ride	14	0411-090	1	Decal, Hi/Low Range (4x4)
6	0411-040	1	Decal, Warning - Age		0411-088	1	Decal, Hi/Low Range (2x4)
7	0411-010	1	Decal, Warning - General	15	0411-145	1	Decal, 2x4/4x4 Shift (4x4)
8	0411-110	1	Decal, Side Right (4x4) (300) (Red)				
	0411-111	1	Decal, Side Left (4x4) (300) (Red)				
	<u>0411-184</u>	1	Decal, Side Right (4x4) (300) (Green)				
	<u>0411-185</u>	1	Decal, Side Left (4x4) (300) (Green)				
	0411-106	1	Decal, Side Right (2x4) (300) (Red)				
	0411-107	1	Decal, Side Left (2x4) (300) (Red)				
	<u>0411-176</u>	1	Decal, Side Right (2x4) (250) (Red)				
	<u>0411-177</u>	1	Decal, Side Left (2x4) (250) (Red)				



## FRAME AND RELATED PARTS

0733-713

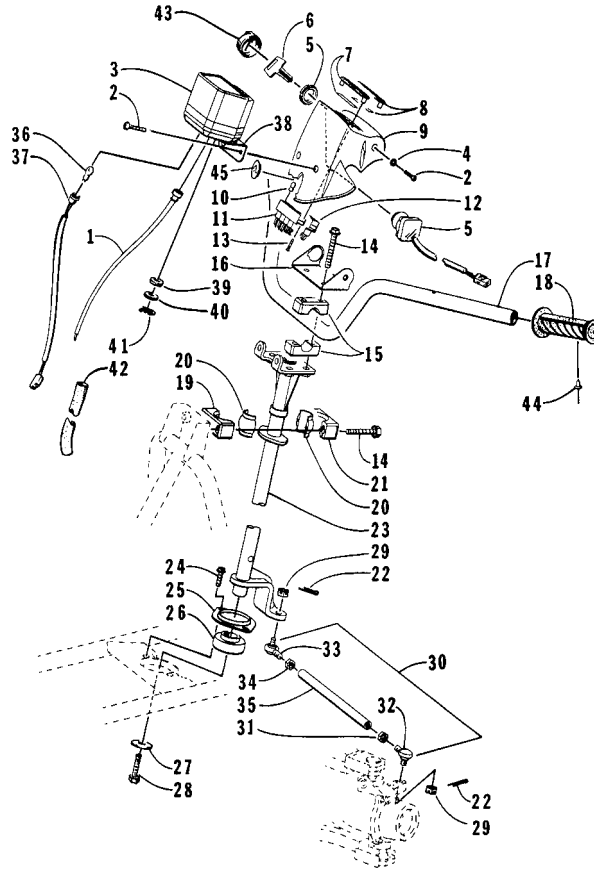
Ref.	Part No.	Qty.	Description	Ref.	Part No.	Qty.	Description
1	0506-270	1	Frame, Main (4x4) (300)	13	8424-802	6	Nut
	0506-188	1	Frame, Main (2x4)	14	8408-850	2	Screw, Cap
2	0406-372	1	Bracket, Body Holddown	15	0406-262	2	Mount, Headlight
3	8476-616	2	Screw, Machine	16	0406-261	2	Yoke, Headlight
4	0506-176	1	Footrest - Right	17	8053-242	2	Washer, Lock
	0506-217	1	Footrest - Left	18	0406-300	2	Panel, Inner Fender
5	8409-020	6	Screw, Cap	19	0409-001	2	Headlight Assembly (inc. 20-21)
6	8408-816	8	Screw, Cap	20	0409-005	2	● Bulb, Headlight
7	0423-010	12	Washer, Shoulder	21	0123-950	2	● Screw, Machine
8	8474-616	12	Screw, Machine	22	0506-210	1	Bracket, Differential (4x4)
9	0506-192	1	Guard, Brush	23	8408-820	2	Screw, Cap (4x4)
10	0406-354	1	Panel, Belly	24	0406-371	1	Cover, Front Driveshaft (4x4)
11	0123-788	6	Cable Tie	25	8471-610	4	Screw, Cap (4x4)
12	0406-175	1	Screen, Bumper - Lower				



## SEAT ASSEMBLY

0733-618 \*Not a Service Part

Ref.	Part No.	Qty.	Description	Ref.	Part No.	Qty.	Description
1	5990-069	1	Seat Assembly (inc. 2-8)	10	8476-620	2	Screw, Cap
2	0506-054	1	● Cover, Seat	11	0406-235	1	Spring, Seat Latch
3	0506-056	1	● Foam, Seat	12	8050-217	2	Washer
4	0506-223	1	● Base, Seat - Assembly (inc. 5-7)	13	0406-199	2	Collar, Front Seat Base
5	*	1	●● Base, Seat	14	0406-171	2	Bumper, Seat Base - Front
6	8061-628	4	●● Rivet	15	0623-404	1	Cap, Protector
7	0506-147	1	●● Pin, Seat Base - Front	16	0406-103	1	Latch, Seat - Assembly
8	0624-100	AR	● Staple	17	8476-616	2	Screw, Machine
9	0406-309	2	Grommet, Seat - Center				

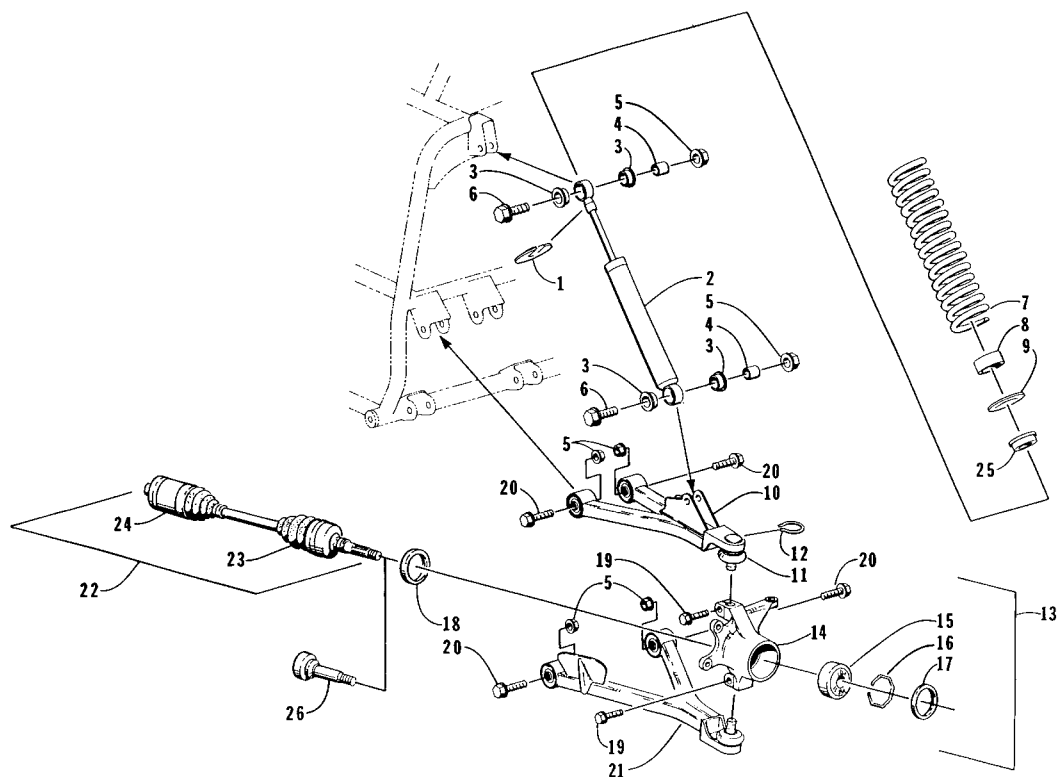


## STEERING ASSEMBLY

0734-394

Ref.	Part No.	Qty.	Description	Ref.	Part No.	Qty.	Description
1	0487-013	1	Cable, Speedometer	20	0405-020	2	Bearing, Steering Post
2	8477-616	3	Screw, Machine	21	0605-147	1	Housing, Bearing - Upper
3	0420-003	1	Speedometer (inc. 36-41) (4x4)	22	0623-175	4	Pin, Cotter
4	0423-052	1	Collar, Body	23	0505-012	1	Post, Steering
5	3430-013	1	Switch, Ignition - Assembly (inc. 6) (2x4) (4x4) (300)	24	8408-816	2	Screw, Cap
	3430-028	1	Switch, Ignition - Assembly (inc. 6) (2x4) (250)	25	0602-233	1	Flange, Bearing
6	3409-007	1	● Key, Ignition - Blank (C Series) (2x4) (4x4) (300)	26	0602-808	1	Bearing w/Inverted Oil Seal
	3409-011	1	● Key, Ignition - Blank (D Series) (2x4) (4x4) (300)	27	0423-073	1	Washer
	3409-012	1	● Key, Ignition - Blank (E Series) (2x4) (250)	28	8409-020	1	Screw, Cap
	3409-013	1	● Key, Ignition - Blank (F Series) (2x4) (250)	29	8422-022	4	Nut, Hex Castle
7	0420-011	1	Bezel/Lens, Warning - Assembly (inc. 10)	30	0505-021	2	Tie Rod, Assembly (inc. 31-35)
8	0420-012	1	Bezel/Lens, Shifting - Assembly (inc. 10)	31	8420-002	2	● Nut - Right-Hand Thread
9	0405-019	1	Instrument Pod	32	0405-040	2	● Ball Joint, Tie Rod - Right
10	0420-013	AR	Bulb, Light Bar	33	0405-041	2	● Ball Joint, Tie Rod - Left
11	0420-001	1	Light, Warning - Assembly	34	0423-013	2	● Nut - Left-Hand Thread
12	0420-004	1	Light, Shift Indicator - Assembly	35	0405-032	2	● Tie Rod
13	0123-950	4	Screw, Self-Tapping	36	0420-019	1	Bulb, Speedometer (4x4)
14	8408-860	6	Screw, Cap	37	0420-014	1	Harness, Speedometer (4x4)
15	0405-035	4	Cap, Steering Adjuster	38	0420-018	1	Bracket, Speedometer (4x4)
16	0506-139	1	Bracket, Key Switch	39	0420-016	2	Mount, Rubber (4x4)
17	0505-022	1	Tube, Handlebar	40	0420-017	2	Washer (4x4)
18	0405-039	2	Grip, Handlebar	41	0420-015	2	Pin, Retainer (4x4)
19	0605-171	1	Housing, Bearing - Lower	42	0423-067	1	Tube, Loom
				43	0409-013	1	Cover, Key
				44	8060-428	2	Rivet
				45	0405-042	1	Plug, Instrument Pod (2x4)

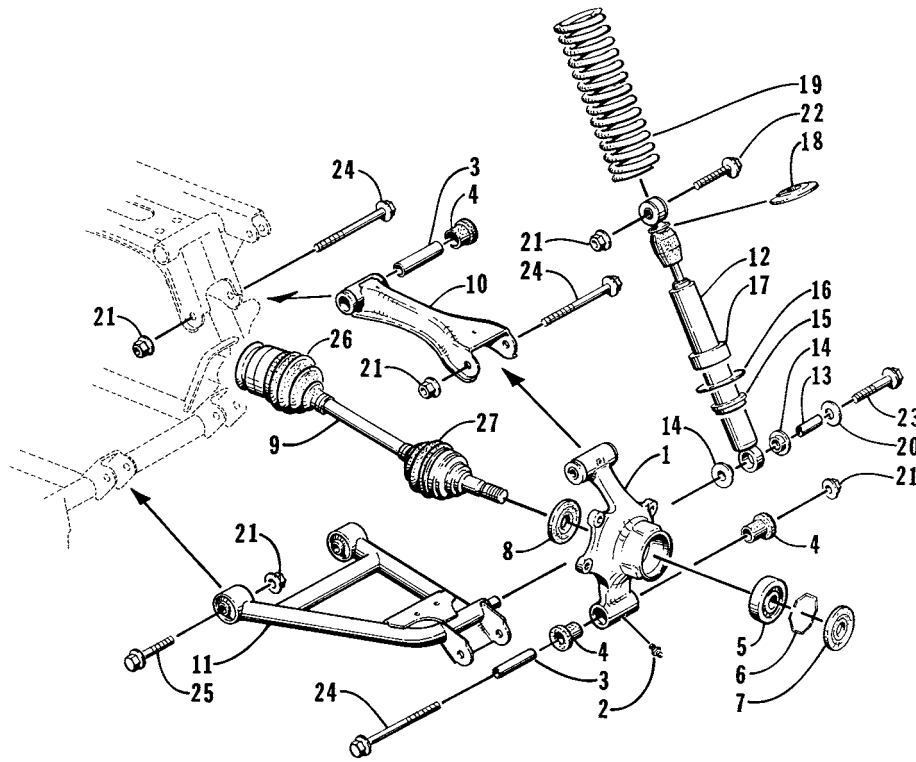




## FRONT SUSPENSION ASSEMBLY

0733-414

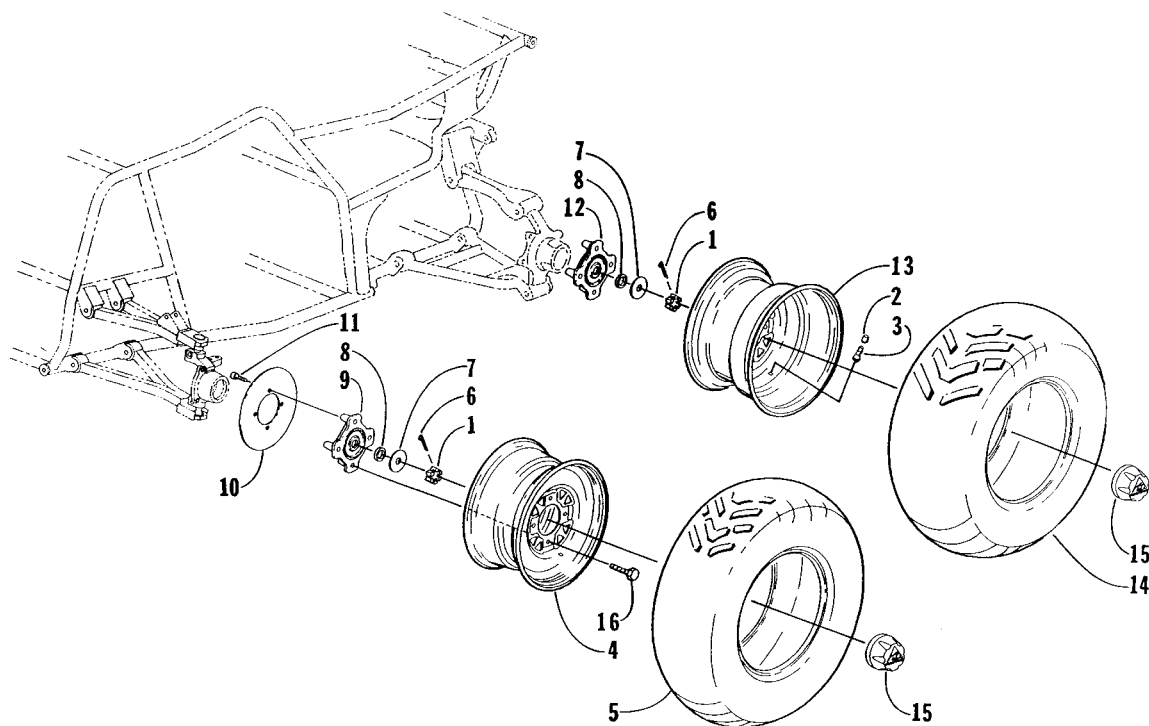
Ref.	Part No.	Qty.	Description	Ref.	Part No.	Qty.	Description
1	0603-033	2	Retainer, Spring	15	<u>0402-275</u>	2	● Bearing, Wheel Hub - Front
2	0403-015	2	Shock Absorber - Front (inc. 3-4) (4x4)	16	0423-034	2	● Clip, Bearing
	0403-036	2	Shock Absorber - Front (inc. 3-4) (2x4)	17	0402-089	2	● Seal, Wheel Bearing - Front
3	0604-310	8	● Bushing, Shock Absorber	18	0402-069	2	● Seal, Wheel Bearing - Front
4	0403-028	4	● Sleeve, Shock	19	8409-030	4	Screw, Cap
5	8428-002	12	Nut, Lock	20	8409-060	8	Screw, Cap
6	8409-040	4	Screw, Cap	21	0503-044	1	A-Arm, Lower Right (inc. 11-12) (4x4)
7	0403-022	2	Spring, Shock Absorber (4x4)		0503-045	1	A-Arm, Lower Left (inc. 11-12) (4x4)
	0403-037	2	Spring, Shock Absorber (2x4)		0503-036	1	A-Arm, Lower Right (inc. 11-12) (2x4)
8	0403-025	2	Collar, Spring		0503-037	1	A-Arm, Lower Left (inc. 11-12) (2x4)
9	0403-013	2	Washer, Spring	22	0402-249	1	Axle, Drive - Front (4x4) (Short) - Left
10	0503-026	1	A-Arm, Upper Right - Assembly (inc. 11-12)		0402-179	1	Axle, Drive - Front (4x4) (Long) - Right
	0503-027	1	A-Arm, Upper Left - Assembly (inc. 11-12)	23	0436-114	2	Repair Kit, Outer Boot - Front Axle (4x4)
11	0405-001	4	● Ball Joint - Front	24	0436-113	2	Repair Kit, Inner Boot - Front Axle (4x4)
12	0423-009	4	● Clip, Ball Joint	25	0403-027	2	Retainer, Spring - Lower
13	0505-026	1	Knuckle - Assembly - Right (inc. 14-18)	26	0402-183	2	Axle, Stub (2x4)
	0505-027	1	Knuckle - Assembly - Left (inc. 14-18)				
14	0505-024	1	● Knuckle, Steering - Right				
	0505-025	1	● Knuckle, Steering - Left				



## REAR SUSPENSION ASSEMBLY

0733-698

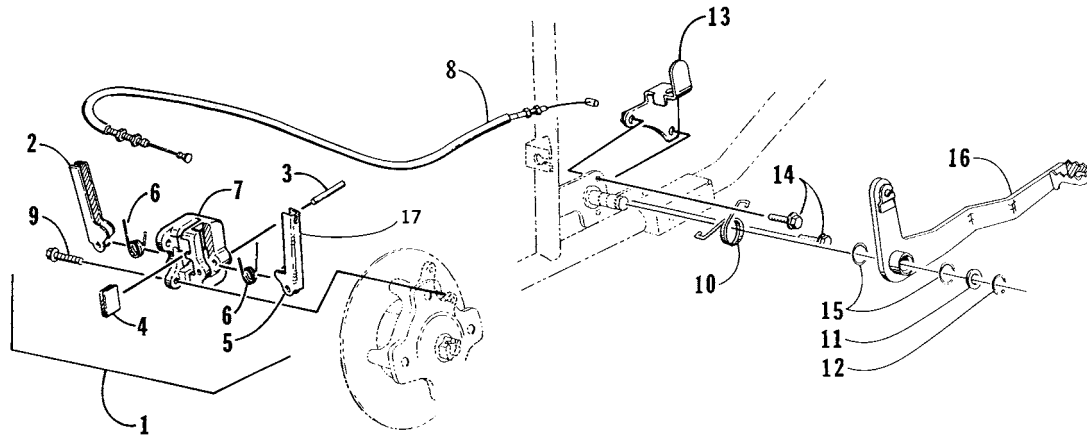
Ref.	Part No.	Qty.	Description	Ref.	Part No.	Qty.	Description
1	0504-032	2	Knuckle, Rear - Assembly (inc. 2)	14	0604-310	8	Bushing, Shock Absorber
2	0423-095	6	● Fitting, Grease	15	0403-027	2	Retainer, Spring - Lower
3	0403-038	6	Collar, Suspension Bushing	16	0403-013	2	Washer, Spring Adjust
4	0403-032	12	Bushing, Suspension	17	0403-025	2	Collar, Spring
5	0402-275	2	Bearing, Wheel	18	0603-033	2	Retainer, Spring
6	0423-034	2	Clip, Bearing	19	0403-002	2	Spring, Suspension
7	0402-089	2	Seal	20	0423-087	2	Washer
8	0402-069	2	Seal	21	8428-002	12	Nut, Lock
9	0402-171	2	Axle, Drive	22	8409-040	2	Screw, Cap
10	0504-029	2	Arm, Rear - Upper (inc. one No. 2)	23	8408-820	2	Screw, Cap
11	0504-030	1	A-Arm, Rear - Lower Right	24	8409-000	6	Screw, Cap
	0504-031	1	A-Arm, Rear - Lower Left	25	8409-060	4	Screw, Cap
12	0404-014	2	Shock Absorber - Rear	26	0436-113	2	Repair Kit, Inner Boot - Rear Axle
13	0403-028	4	Sleeve, Shock	27	0436-114	2	Repair Kit, Outer Boot - Rear Axle



## WHEEL AND TIRE ASSEMBLY

0733-661

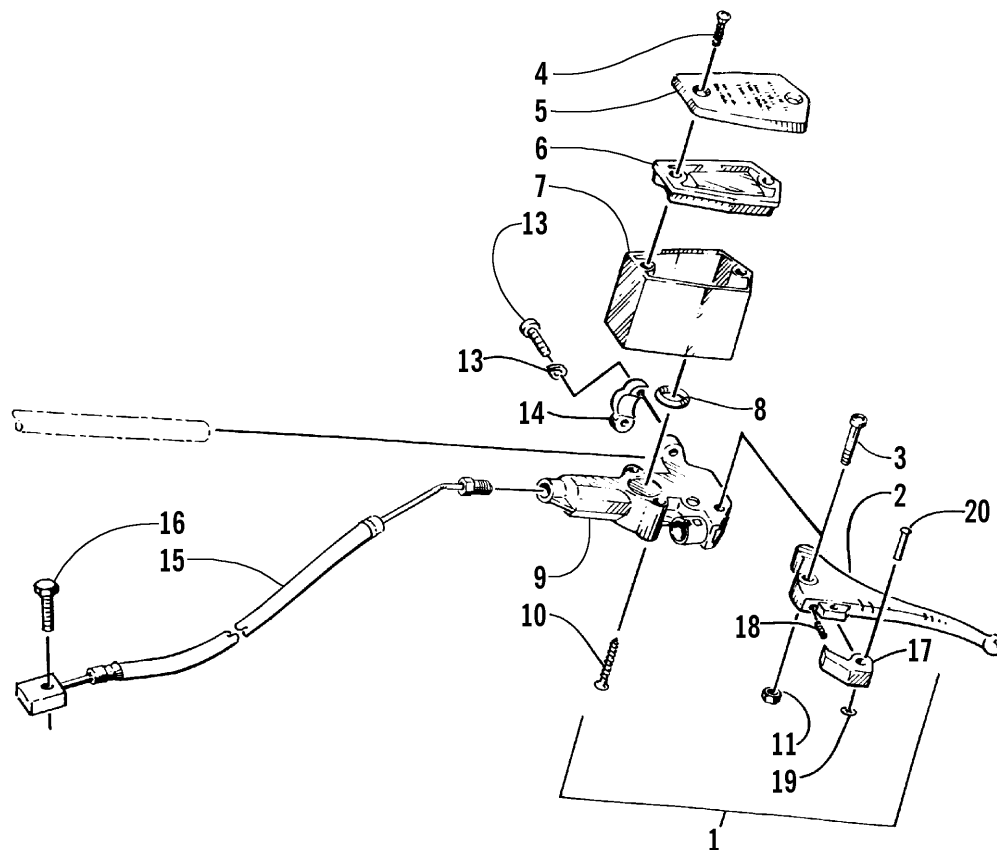
Ref.	Part No.	Qty.	Description	Ref.	Part No.	Qty.	Description
1	3423-213	4	Nut, Hex	10	0402-009	3	Disc, Brake
2	0402-140	4	Cap, Valve Stem	11	0423-029	12	Screw, Machine
3	0402-064	4	Valve, Stem	12	0502-041	2	Hub, Wheel - Rear
4	0402-215	2	Wheel - Front (300)	13	0402-262	2	Wheel - Rear (4x4)
	0402-169	2	Wheel - Front (250)		0402-215	2	Wheel - Rear (2x4) (300)
5	<u>0402-317</u>	2	Tire - Front (4x4)		0402-169	2	Wheel - Rear (2x4) (250)
	<u>0402-316</u>	2	Tire - Front (2x4)	14	<u>0402-319</u>	2	Tire - Rear (300)
6	0123-458	4	Pin, Cotter		<u>0402-317</u>	2	Tire - Rear (250)
7	0423-080	4	Washer	15	0403-035	4	Cap, Wheel - Center
8	0402-181	4	Seal, Hub	16	8409-020	16	Screw, Cap
9	0502-041	2	Hub, Wheel - Front (4x4)				
	0502-040	2	Hub, Wheel - Front (2x4)				



## MECHANICAL BRAKE ASSEMBLY

0733-691 \*Not a Service Part

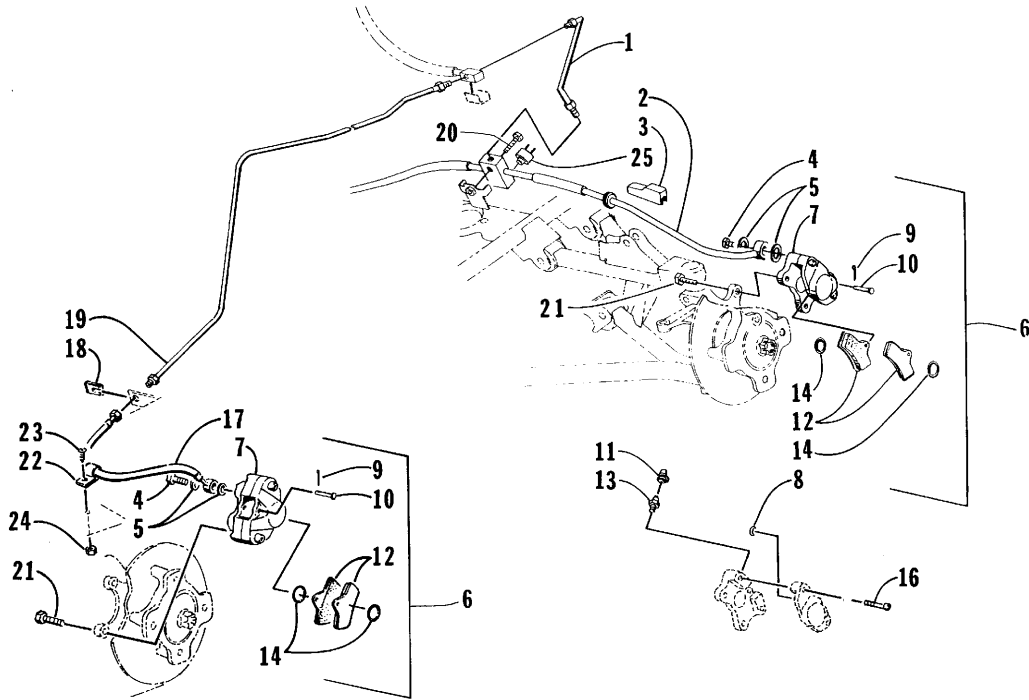
Ref.	Part No.	Qty.	Description	Ref.	Part No.	Qty.	Description
1	<u>0502-115</u>	1	Mechanical Brake - Assembly (inc. 2-7)	9	8408-825	2	Screw, Cap
2	0402-206	1	● Arm, Inner	10	0402-161	1	Spring, Foot Brake
3	0402-208	2	● Pin, Arm	11	0423-027	1	Washer, Brake Lever
4	0402-210	2	● Pad, Mechanical Brake	12	0623-237	1	Ring, Snap
5	0402-207	1	● Arm, Outer	13	0502-056	1	Bracket, Brake Switch
6	0402-209	2	● Spring, Arm	14	8476-616	2	Screw, Cap
7	*	1	● Housing, Mechanical Brake	15	0670-183	2	O-Ring
8	0487-010	1	Cable, Brake - Rear	16	<u>0502-095</u>	1	Lever, Foot Brake



## HYDRAULIC BRAKE CONTROL ASSEMBLY

0733-434 \*Not a Service Part

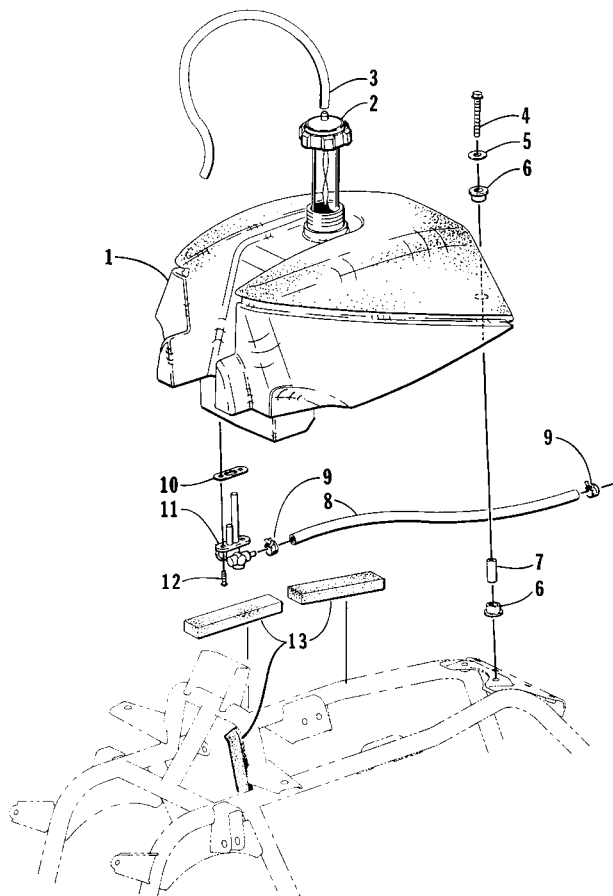
Ref.	Part No.	Qty.	Description	Ref.	Part No.	Qty.	Description
1	0502-061	1	Brake, Lever - Assembly (inc. 2-14 and 17-20)	11	0623-056	1	● Nut, Lock
2	0402-242	1	● Lever, Brake	12	8052-212	2	● Washer, Lock
3	0623-430	1	● Bolt, Lever Mounting	13	0623-629	2	● Screw, Machine
4	0623-506	2	● Screw, Cover	14	0602-907	1	● Clamp
5	0602-742	1	● Cover, Master Cylinder	15	0402-050	1	Hose, Master Cylinder
6	0602-741	1	● Gasket, Cover - Master Cylinder	16	8476-625	1	Screw, Cap
7	0602-740	1	● Reservoir, Hydraulic Brake	17	0402-240	1	Wedge, Parking Brake
8	0602-587	1	● O-Ring, Reservoir	18	0402-245	1	Spring
9	*	1	● Master Cylinder	19	0423-090	1	Nut, Press
10	0623-432	2	● Screw, Reservoir Mount	20	0402-246	1	Pin



## HYDRAULIC BRAKE ASSEMBLY

0733-624 \*Not a Service Part

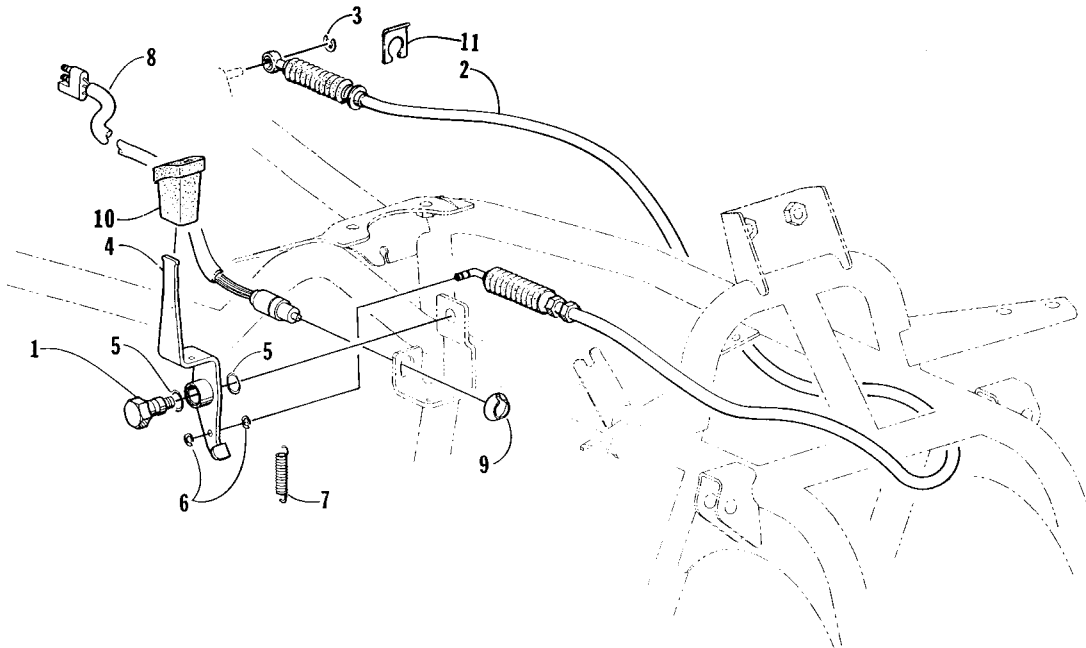
Ref.	Part No.	Qty.	Description	Ref.	Part No.	Qty.	Description
1	0402-053	1	Tube, Brake Line - Front	11	0402-143	3	● Cap, Bleeder Valve
2	0402-051	1	Hose, Brake - Front	12	0402-096	6	● Pad, Hydraulic Brake
3	0402-073	2	Block, Mounting	13	0402-167	3	● Valve, Bleeder
4	0423-038	3	Bolt, Oil	14	0402-141	6	● O-Ring, Hydraulic Brake Caliper
5	0423-039	6	Washer, Crush	15	0402-165	6	● Washer
6	0402-010	1	Caliper, Brake - Right Front (inc. 7-13 and two No. 14-16)	16	0402-166	6	● Screw, Socket Head
	0402-011	1	Caliper, Brake - Left Front (inc. 7-13 and two No. 14-16)	17	0402-254	1	Hose, Brake - Rear
	0402-011	1	Caliper, Brake - Rear (inc. 7-13 and two No. 14-16)	18	0402-115	1	Clip, Brake Line
7	*	3	● Housing, Caliper	19	0402-170	1	Tube, Brake Line - Rear
8	0402-164	3	● O-Ring	20	8476-625	1	Screw, Cap
9	0117-868	3	● Pin, Cotter	21	8408-825	6	Screw, Cap
10	0402-142	3	● Pin, Hydraulic Brake Caliper	22	0123-269	1	Clamp, Cable
				23	8476-612	1	Screw, Machine
				24	0624-250	1	Nut



## GAS TANK ASSEMBLY

0733-834 \*Not a Service Part

Ref.	Part No.	Qty.	Description	Ref.	Part No.	Qty.	Description
1	0570-014	1	Tank, Gas (inc. 2-3 and 6-12) (300)	7	0406-170	2	Collar, Gas Tank Mount
	<del>0570-028</del>	1	Tank, Gas (inc. 2-3 and 6-12) (250)	8	0610-007	AR	Hose, Gasline
2	0470-315	1	● Cap, Gas Tank (inc. 3) (300)	9	0423-048	2	Clamp, Hose - Spring
	<del>0470-368</del>	1	● Cap, Gas Tank (inc. 3) (250)	10	0470-364	1	Gasket, Valve
3	0470-316	1	●● Line, Gas Tank Cap Vent	11	0470-365	1	Valve, Shut-Off (inc. 10)
4	8476-650	2	Screw, Cap	12	8471-616	2	Screw, Cap
5	0623-184	2	Washer	13	0417-001	7	Pad, Gas Tank
6	0406-169	4	Bushing, Gas Tank Mount				

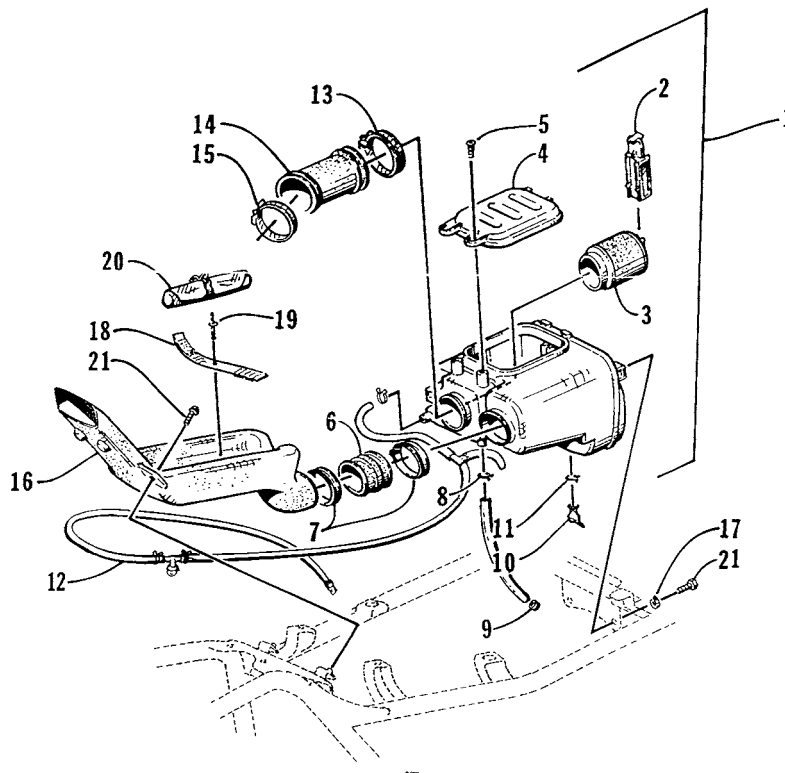


## REVERSE SHIFT LEVER ASSEMBLY

0733-716

Ref.	Part No.	Qty.	Description	Ref.	Part No.	Qty.	Description
1	0402-239	1	Axle, Reverse Shift	7	0402-136	1	Spring, Reverse Lever
2	0487-009	1	Cable, Shift	8	0409-008	1	Reverse Switch
3	3423-168	1	E-Ring	9	0402-168	1	Retainer, Switch
4	0502-059	1	Lever, Reverse	10	0402-062	1	Knob, Reverse Shift Lever
5	0423-096	2	O-Ring	11	3423-282	1	Clip, Cable
6	0423-063	2	E-Ring				

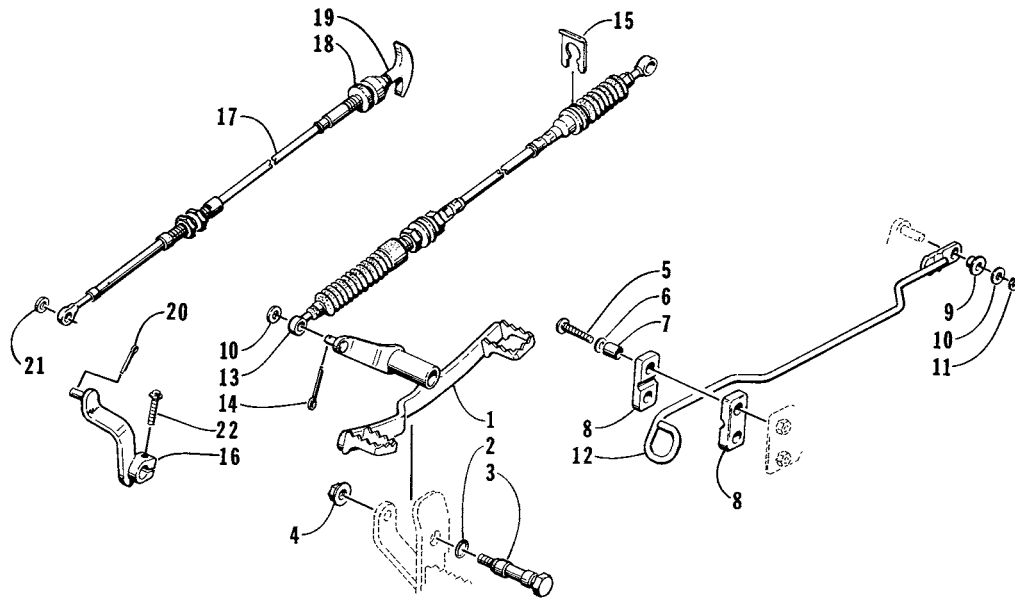




## AIR INTAKE ASSEMBLY

0734-706

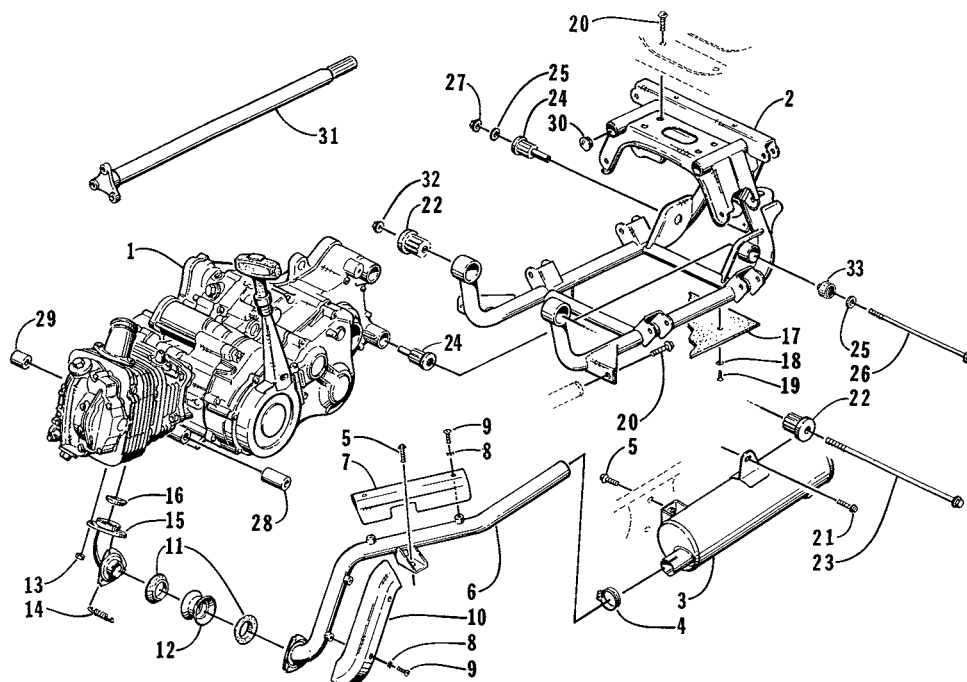
Ref.	Part No.	Qty.	Description	Ref.	Part No.	Qty.	Description
1	3570-001	1	Box, Air - Assembly (inc. 2 and 4-7)	11	0423-047	1	Clamp, Hose
2	3402-330	1	● Slider, Retainer - Filter	12	3470-004	1	Hose Assembly
3	0470-355	1	Filter, Air Cleaner	13	0423-018	1	Clamp
	0470-356	1	Sleeve, Filter	14	0470-347	1	Boot, Air Cleaner
4	3402-331	1	Cap	15	0423-019	1	Clamp
5	8477-610	2	Screw, Cap	16	0570-019	1	Snorkel, Air Intake
6	3423-329	1	Joint	17	8053-212	3	Washer, Lock
7	3423-311	2	Clamp	18	0406-379	1	Strap, Tool Kit
8	0423-071	1	Clamp	19	0423-046	1	Rivet, Plastic
9	<u>0423-127</u>	1	Plug, Drain	20	0444-072	1	Kit, Tool
10	0470-349	1	Air Cleaner	21	8476-616	5	Screw, Cap



## SHIFTER ASSEMBLY

0733-736

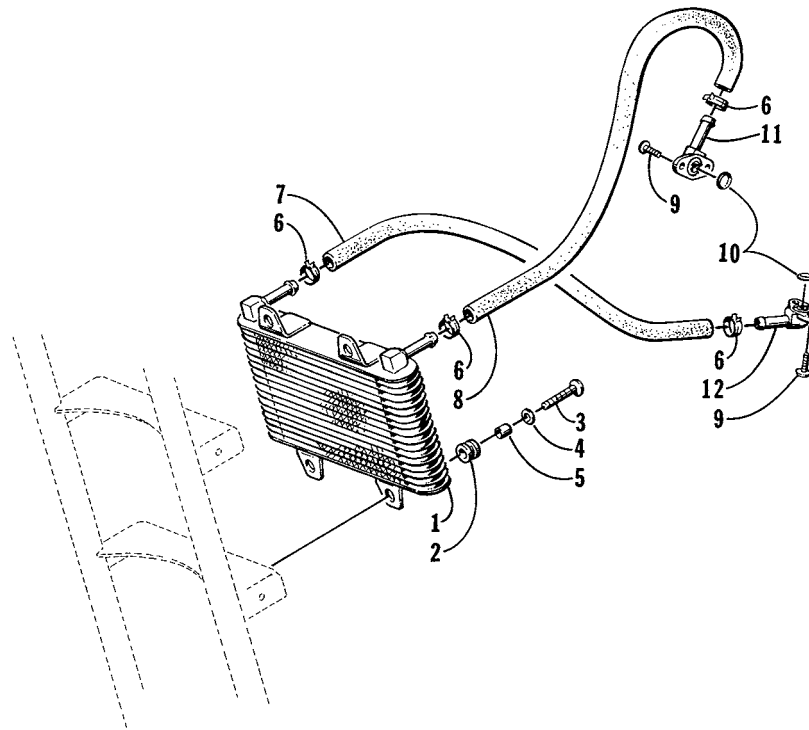
Ref.	Part No.	Qty.	Description	Ref.	Part No.	Qty.	Description
1	0502-114	1	Lever, Footshift	12	0502-062	1	Linkage, Hi/Lo
2	0423-096	2	O-Ring	13	3487-001	1	Cable, Footshift
3	0402-370	1	Axle, Footshift	14	0623-175	1	Pin, Cotter
4	8424-802	1	Nut	15	3423-282	1	Clip, Cable
5	8476-630	2	Screw, Cap	16	0502-064	1	Arm, 2x4/4x4 - Shift (4x4)
6	8050-222	2	Washer	17	0487-012	1	Cable, 2x4/4x4 - Shift (4x4)
7	0402-256	2	Collar	18	0423-099	1	Nut
8	0406-363	2	Bushing	19	0487-014	1	Handle, Cable Shift
9	0423-091	1	Bushing, Shift Linkage	20	0117-868	1	Pin, Cotter
10	8050-242	2	Washer	21	0423-052	1	Collar, Body
11	3423-168	1	E-Ring	22	8476-620	1	Screw, Cap (4x4)



## ENGINE AND RELATED PARTS

0734-784

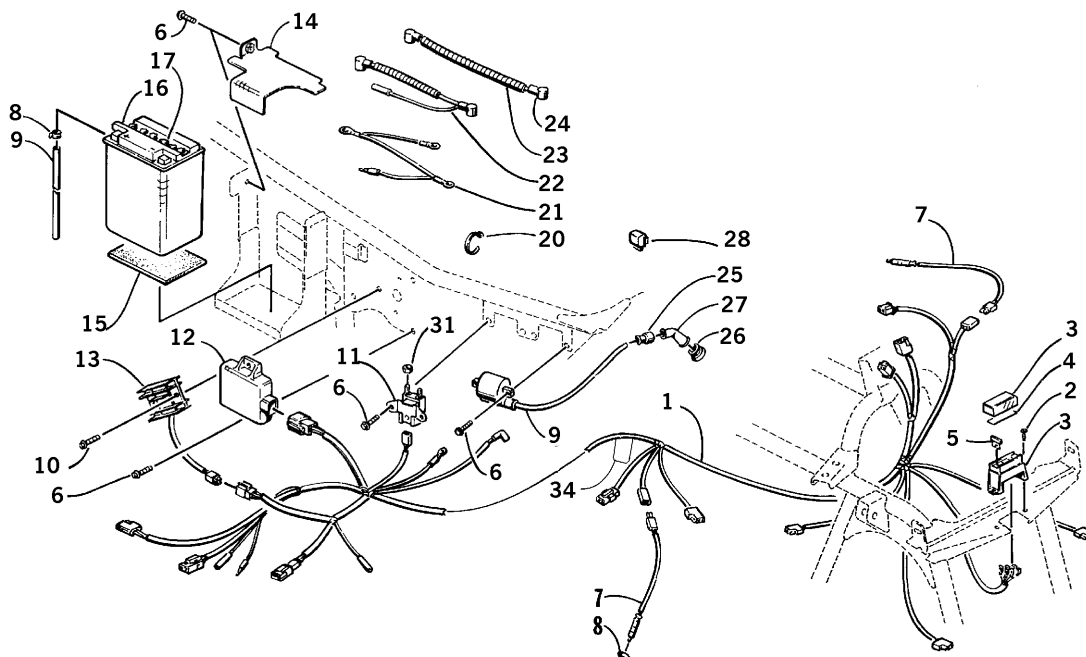
Ref.	Part No.	Qty.	Description	Ref.	Part No.	Qty.	Description
1	0462-009	1	Engine (4x4)	16	3402-300	1	Seal, Exhaust Pipe
	0462-005	1	Engine (2x4) (300)	17	0406-344	1	Panel, Belly - Subframe
	<u>0462-012</u>	1	Engine (2x4) (250)	18	0423-010	8	Washer, Shoulder
2	0506-301	1	Frame, Sub (inc. 33)	19	8474-616	8	Screw, Cap
3	<u>0436-182</u>	1	Muffler (300)	20	8409-020	6	Screw, Cap
	0512-006	1	Muffler (250)	21	8408-816	1	Screw, Cap
4	0423-092	1	Clamp, Exhaust	22	3402-264	2	Mount, Motor
5	8408-812	2	Screw, Cap	23	3423-236	1	Screw, Cap
6	0512-004	1	Pipe, Exhaust	24	3402-263	4	Mount, Motor
7	0412-024	1	Cover, Exhaust - Rear	25	8050-272	4	Washer
8	8053-211	4	Washer, Lock	26	3423-235	2	Screw, Cap
9	8477-610	4	Screw, Cap	27	8422-002	2	Nut
10	0412-023	1	Cover, Exhaust	28	0402-231	1	Spacer, Engine Mount - Long
11	0612-887	2	Gasket, Exhaust	29	0402-232	1	Spacer, Engine Mount - Short
12	0412-031	1	Coupler, Exhaust	30	0406-320	2	Cap, Subframe
13	8424-802	2	Nut	31	0502-066	1	Driveshaft (4x4)
14	0123-321	3	Spring, Extension	32	8422-202	1	Nut, Motor Mount - Front
15	0512-008	1	Pipe, Header	33	3402-232	1	Bushing, Sub Frame - Engine Mount



## OIL COOLER ASSEMBLY

0733-727

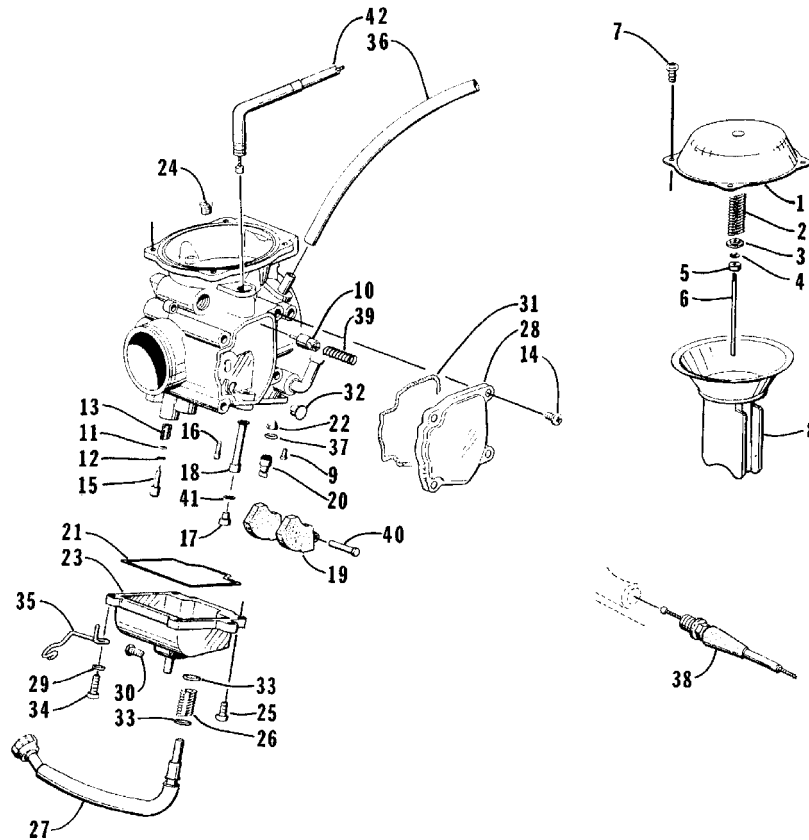
Ref.	Part No.	Qty.	Description	Ref.	Part No.	Qty.	Description
1	0413-011	1	Cooler, Oil	7	0410-006	1	Hose, Oil - Output
2	0423-086	4	Grommet	8	0410-007	1	Hose, Oil - Input
3	8476-620	4	Screw, Cap	9	8471-616	4	Screw, Cap
4	8050-217	4	Washer	10	0423-089	2	O-Ring, Oil Fitting
5	0423-036	4	Collar	11	0410-012	1	Fitting, Oil - Angled
6	0423-098	4	Clamp, Hose	12	0410-013	1	Fitting, Oil



## ELECTRICAL COMPONENTS

0733-740

Ref.	Part No.	Qty.	Description	Ref.	Part No.	Qty.	Description
1	0486-014	1	Harness, Main (300)	15	0406-380	1	Pad, Battery
	<u>0486-027</u>	1	Harness, Main (250)	16	0645-063	1	Battery (inc. 17-19)
2	0623-361	2	Screw, Self-Tapping	17	0645-045	6	● Cap, Battery
3	0530-003	1	Fuse Box Assembly	18	0645-152	1	● Clamp, Hose
4	0411-084	1	Decal, Fuse Box	19	0645-263	1	● Hose, Battery Vent
5	0630-057	3	Fuse, 10 Amp	20	0123-788	AR	Cable Tie
6	8476-616	7	Screw, Cap	21	0445-010	1	Cable, Battery - Ground
7	0409-009	2	Switch, Brake	22	0445-011	1	Cable, Battery - Relay
8	0402-168	1	Retainer, Switch	23	0445-012	1	Cable, Battery - Starter
9	3530-012	1	Coil, Ignition (300)	24	0645-019	4	Bolt, Terminal - Battery
	<u>3530-025</u>	1	Coil, Ignition (250)	25	3430-009	1	Seal, High Tension Cord
10	8476-620	2	Screw, Cap	26	3430-026	1	Seal, Spark Plug
11	3530-013	1	Relay, Starter (300)	27	3430-007	1	Cap, Spark Plug
	3530-015	1	Relay, Starter (250)	28	3530-008	1	Relay, Neutral Start
12	3530-011	1	CDI Unit (300)	29	0486-012	1	Harness, Neutral Jumper
	<u>3530-024</u>	1	CDI Unit (250)	30	0486-013	1	Tube, Heat Spring
13	3530-014	1	Regulator, Voltage	31	0624-250	2	Nut, Starter Relay
14	0506-254	1	Bracket, Battery				

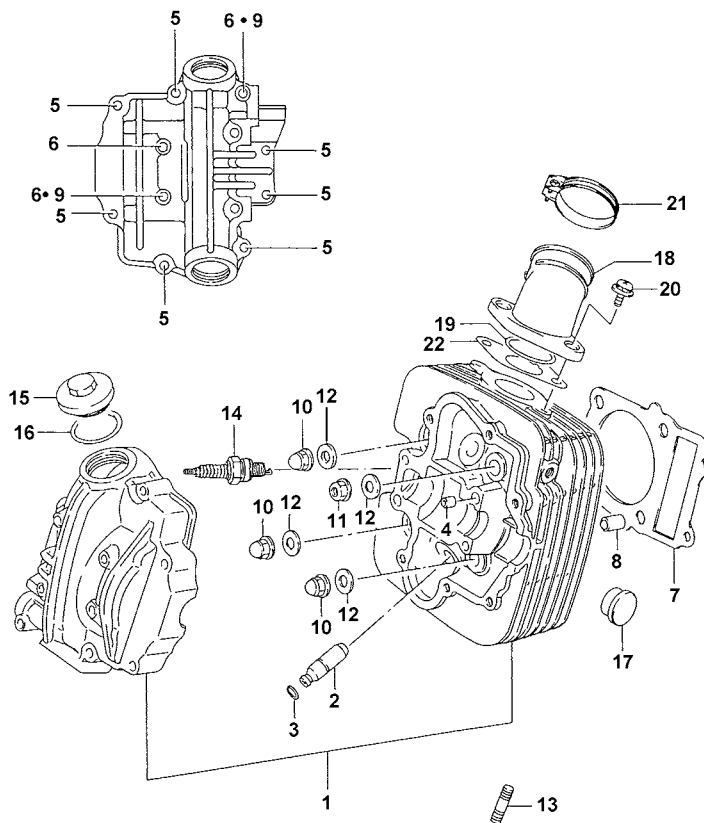


## CARBURETOR

(Complete Assembly p/n 0470-348 300; p/n 0470-367 250)

0733-773 \*California Models Only

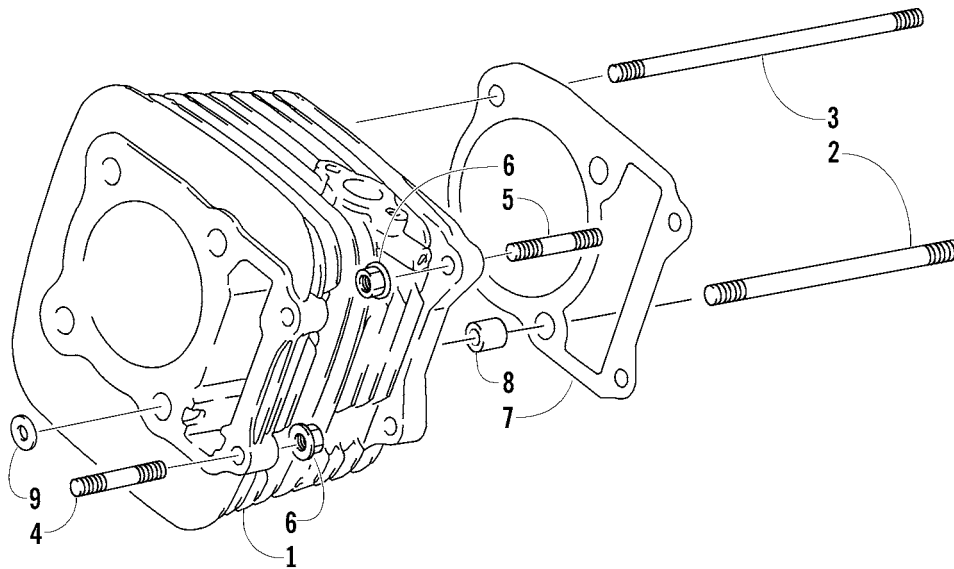
Ref.	Part No.	Qty.	Description	Ref.	Part No.	Qty.	Description
1	4505-069	1	Cover - Assembly	21	4505-044	1	O-Ring, Bowl
2	4505-002	1	Spring	22	4505-045	1	Filter
3	4505-003	1	Ring	23	4505-023	1	Chamber, Float
4	4505-004	1	E-Ring	24	4505-024	1	Jet, Pilot - Air
5	4505-005	1	Ring	25	4505-025	3	Screw
6	4505-084	1	Jet Needle	26	4505-026	1	Spring
7	4505-007	4	Screw	27	4505-062	1	Cable Adjust - Assembly
8	4505-058	1	Diaphragm	28	4505-028	1	Cover
9	4505-009	1	Screw	29	4505-029	1	Washer
10	4505-067	1	Plunger Assembly	30	4505-030	1	Screw
11	4505-011	1	O-Ring	31	4505-031	1	O-Ring
12	4505-012	1	Washer	32	4505-032	1	Guide, Cable
13	4505-013	1	Spring	33	4505-033	2	Washer
14	4505-014	4	Screw	34	4505-042	1	Screw
15	4505-016	1	Screw, Pilot	35	4505-065	1	Clip
16	4505-059	1	Jet, Pilot 45	36	4505-064	2	Hose
17	4505-060	1	Jet, Main 137.5 (300)	37	6505-875	1	O-Ring
	4505-019	1	Jet, Main 142.5 (300)*	38	0487-008	1	Cable, Choke
	4505-071	1	Jet, Main 130.0 (250)	39	4505-039	1	Spring
18	4505-057	1	Needle Jet 4D28-3	40	4505-040	1	Pin
19	4505-021	1	Float Assembly	41	6505-006	1	Washer
20	4505-022	1	Seat, Valve 2.0 w/Needle	42	0487-007	1	Cable, Throttle



## CYLINDER HEAD ASSEMBLY

0733-743

Ref.	Part No.	Qty.	Description	Ref.	Part No.	Qty.	Description
1	3402-246	1	Head, Cylinder - Assembly (inc. 2-6) (300)	11	3004-326	1	Nut
	3402-407	1	Head, Cylinder - Assembly (inc. 2-6) (250)	12	3005-243	4	Gasket
2	3402-247	2	● Guide, Valve	13	3003-032	2	Bolt, Stud
3	3423-068	2	● Ring, Valve Guide	14	0217-713	1	Spark Plug (NGK DR7EA)
4	3423-043	2	● Pin	15	3402-249	2	Cap, Inspection
5	3004-426	7	● Screw, Cap	16	3423-275	2	O-Ring
6	3423-304	3	● Screw, Cap	17	3402-213	1	Plug, Head
7	3402-248	1	Gasket, Cylinder Head (300)	18	3402-297	1	Pipe, Intake
	3402-408	1	Gasket, Cylinder Head (250)	19	3423-276	1	O-Ring
8	3004-822	2	Pin	20	3423-305	2	Screw, Cap
9	3003-290	2	Gasket	21	3402-086	1	Clamp
10	3423-257	3	Nut	22	3402-298	1	Gasket, Intake Pipe

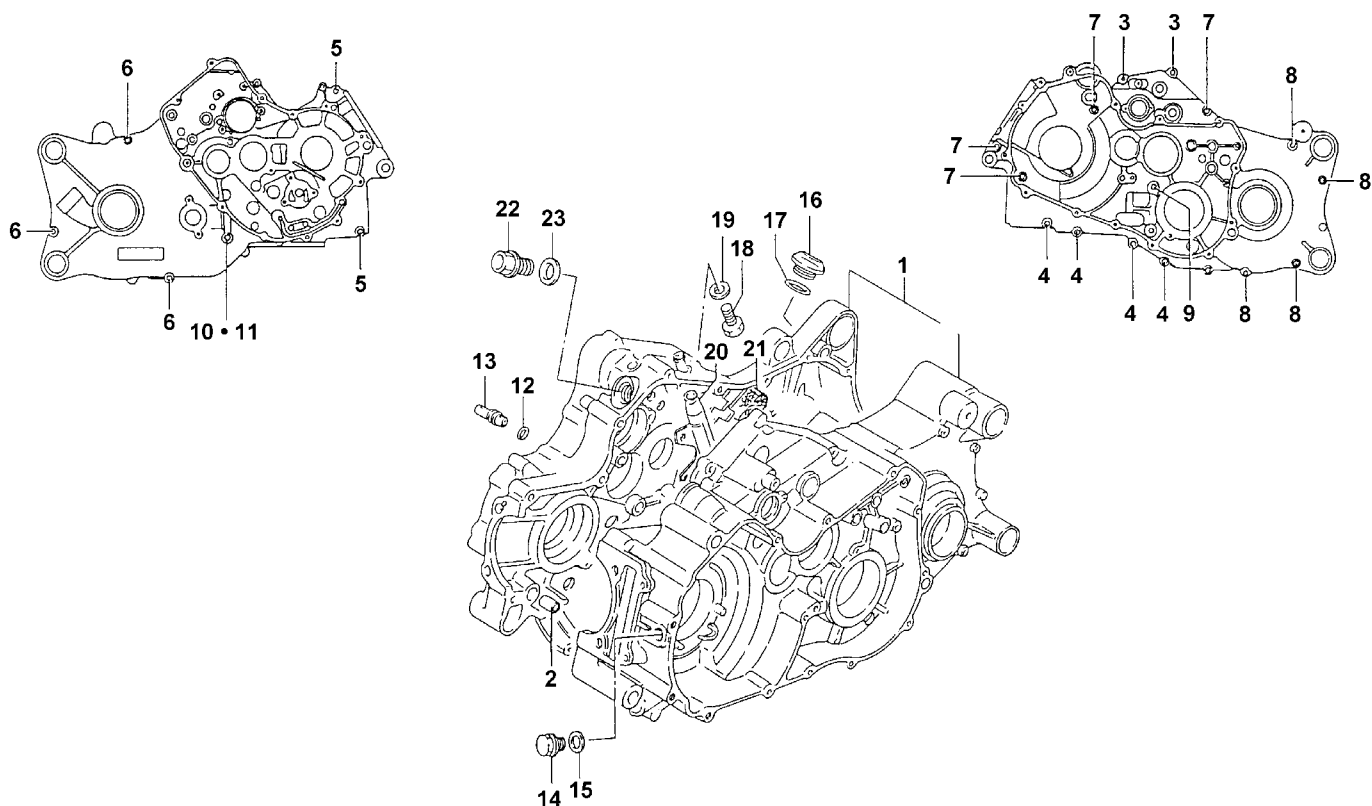


## CYLINDER ASSEMBLY

0733-744

Ref.	Part No.	Qty.	Description	Ref.	Part No.	Qty.	Description
1	3402-251	1	Cylinder (300)	5	3423-237	2	Bolt, Stud
	<del>3402-409</del>	1	Cylinder (250)	6	3004-488	4	Nut
2	3423-238	2	Bolt, Stud (300)	7	3402-252	1	Gasket, Cylinder (300)
	<del>3423-365</del>	2	Bolt, Stud (250)		<del>3402-410</del>	1	Gasket, Cylinder (250)
3	3423-239	2	Bolt, Stud (300)	8	3423-306	2	Pin
	<del>3423-364</del>	2	Bolt, Stud (250)	9	3005-226	1	O-Ring
4	3423-089	2	Bolt, Stud				



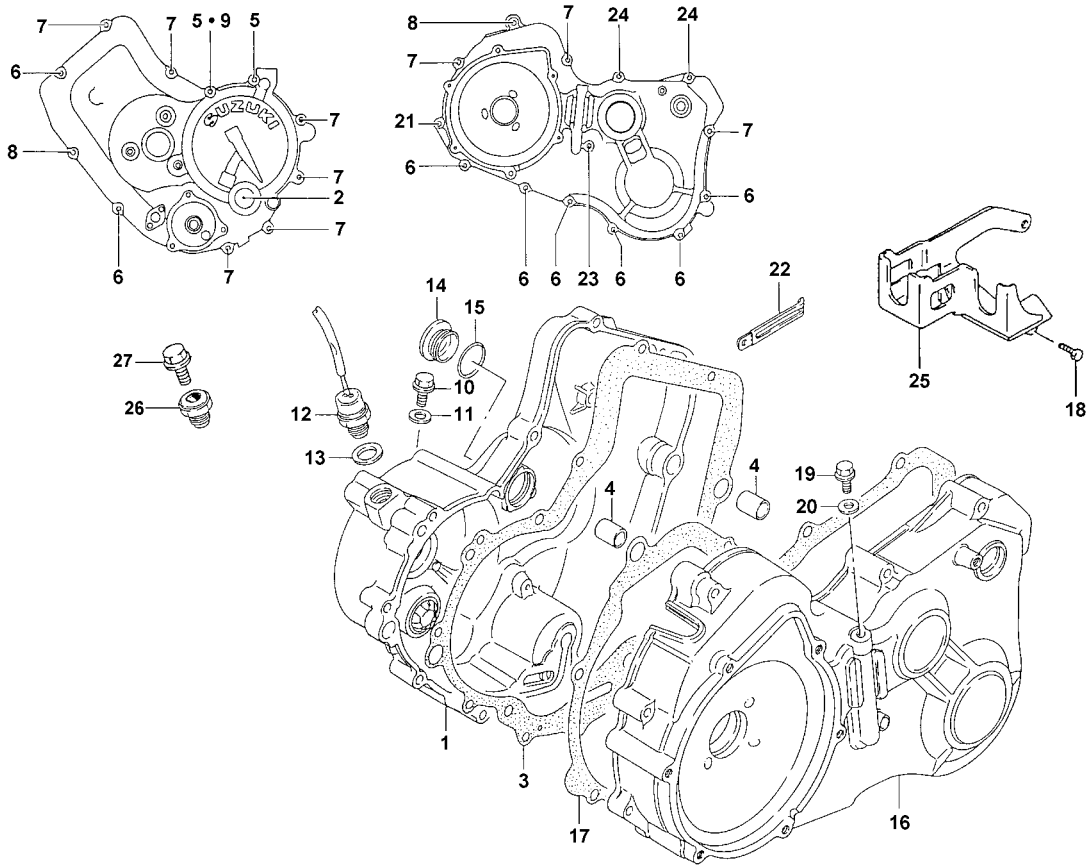


## CRANKCASE ASSEMBLY

0733-745

Ref.	Part No.	Qty.	Description	Ref.	Part No.	Qty.	Description
1	3402-314	1	Crankcase Set (inc. 2-13) (4x4) (300)	13	3402-245	1	● Jet, Oil Gallery
	3402-253	1	Crankcase Set (inc. 2-13) (2x4) (300)	14	3402-214	1	Plug
	<u>3402-411</u>	1	Crankcase Set (inc. 2-13) (2x4) (250)	15	3402-012	1	Gasket
2	3423-088	2	● Pin	16	3402-212	1	Cap, Oil Filler
3	3423-162	2	● Screw, Cap	17	3423-274	1	O-Ring
4	3423-098	4	● Screw, Cap	18	3402-327	1	Plug, Oil Drain (300)
5	3423-091	2	● Screw, Cap		<u>3402-404</u>	1	Plug, Oil Drain (250)
6	3423-307	3	● Screw, Cap	19	3402-011	1	Gasket
7	3423-308	4	● Screw, Cap	20	3402-257	1	Pipe, Breather (300)
8	3423-094	4	● Screw, Cap		<u>3402-413</u>	1	Pipe, Breather (250)
9	3423-232	1	● Screw, Cap	21	3402-250	1	Separator, Oil Breather
10	3423-234	1	● Screw, Cap	22	3402-258	1	Plug, Reverse Switch Hole
11	3005-243	1	● Gasket	23	3423-271	1	O-Ring
12	3423-051	1	● O-Ring, Oil Gallery Jet				

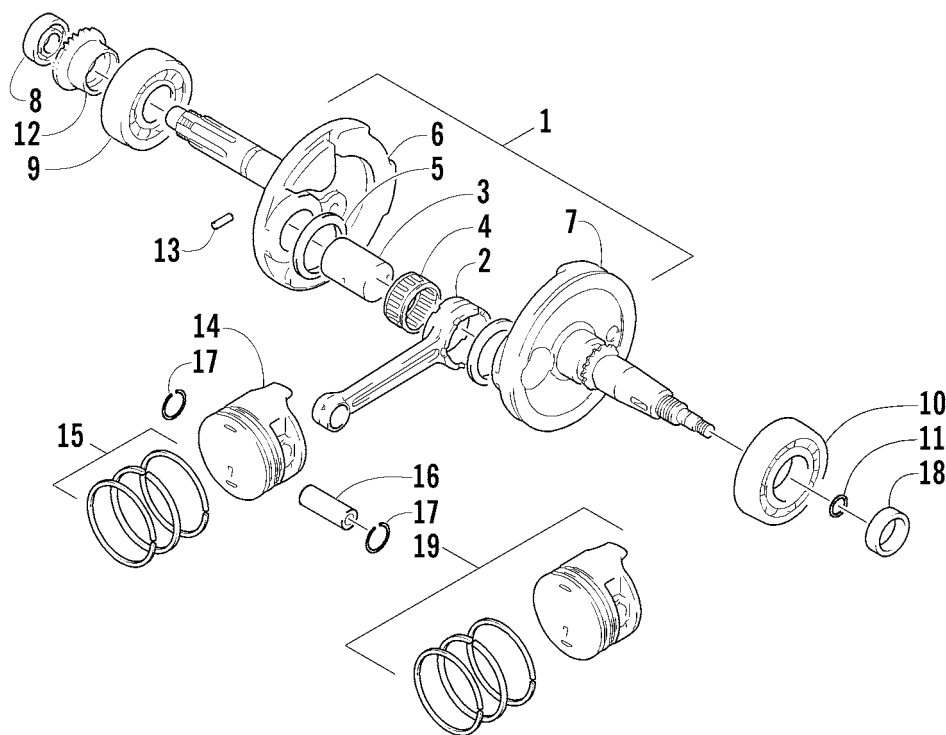
1999 ATV 250 2x4  
1999 ATV 300 2x4 and 300 4x4



## CRANKCASE COVER ASSEMBLY

0735-761

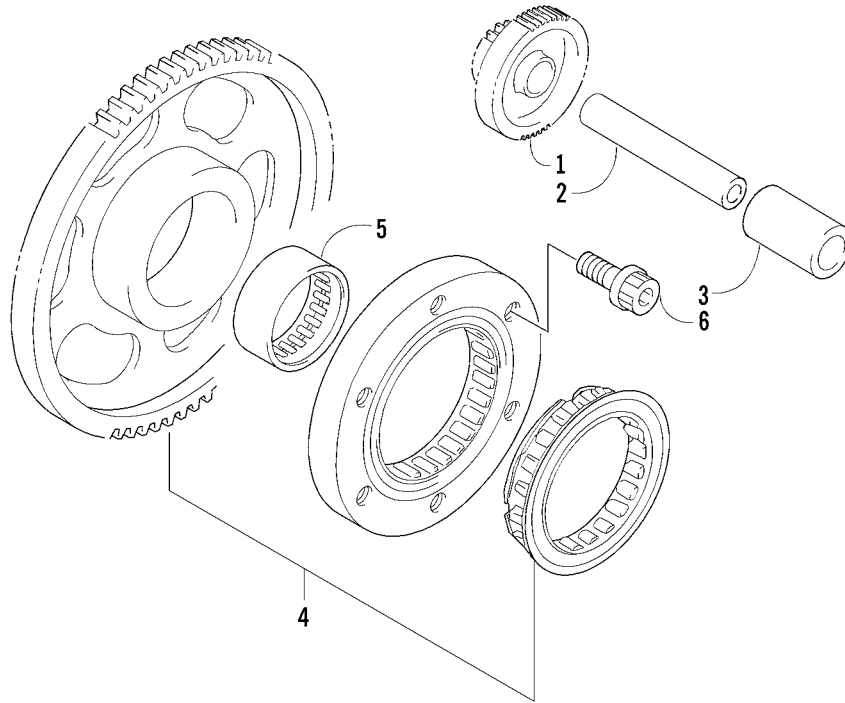
Ref.	Part No.	Qty.	Description	Ref.	Part No.	Qty.	Description
1	3402-254	1	Cover, Clutch (inc. 2)	15	3423-274	1	O-Ring
2	3402-112	1	● Lens, Oil Inspection	16	3402-256	1	Cover, Transfer
3	3402-280	1	Gasket	17	3402-262	1	Gasket, Transfer Cover
4	3423-088	4	Pin	18	3423-328	1	Screw, Cap
5	3423-231	2	Screw, Cap	19	3004-339	1	Plug, Oil Gallery
6	0693-327	8	Screw, Cap	20	3003-290	1	Gasket
7	3423-098	9	Screw, Cap	21	3004-756	1	Screw, Cap
8	3423-307	2	Screw, Cap	22	3402-237	2	Clamp, Breather Hose (300)
9	3003-290	1	Gasket		0693-274	2	Clamp, Breather Hose (250)
10	3004-705	2	Plug, Oil Gallery	23	3423-308	1	Screw, Cap
11	3005-242	2	Gasket	24	3423-091	2	Screw, Cap
12	3430-019	1	Switch, Oil Lamp	25	3430-029	1	Bracket, Shift Cable
13	3402-013	1	Gasket	26	3402-041	1	Plug, Oil Gallery
14	3402-215	1	Cap, Clutch Adjust	27	3402-405	1	Cap, Oil Plug



## CRANKSHAFT ASSEMBLY

0733-747 \*Optional

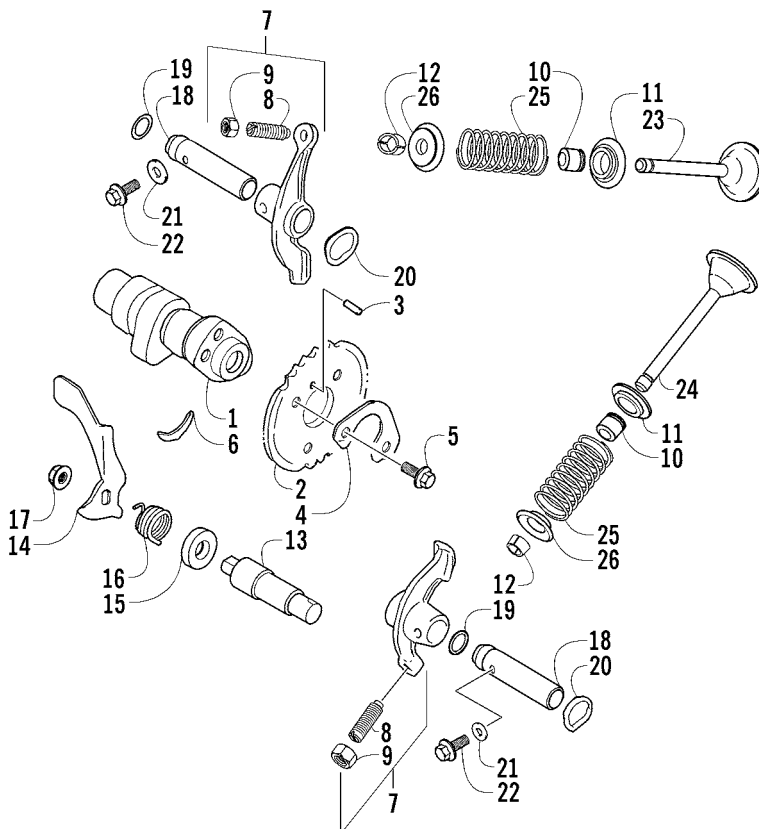
Ref.	Part No.	Qty.	Description	Ref.	Part No.	Qty.	Description
1	3402-269	1	Crankshaft - Assembly (inc. 2-7) (300)	12	3402-301	1	Gear, Oil Pump Drive (300)
	3402-419	1	Crankshaft - Assembly (inc. 2-7) (250)		3402-428	1	Gear, Oil Pump Drive (250)
2	3402-268	1	● Rod, Connecting (300)	13	3423-114	1	Pin
	3402-418	1	● Rod, Connecting (250)	14	3402-265	1	Piston (300)
3	3402-270	1	● Pin, Crank (300)		3402-415	1	Piston (250)
	3402-422	1	● Pin, Crank (250)	15	3402-266	1	Ring Set, Piston (300)
4	3402-223	1	● Bearing (300)		3402-416	1	Ring Set, Piston (250)
	3402-406	1	● Bearing (250)		3436-013	1	Ring Set, Piston (250)*
5	3005-241	2	● Washer		3436-014	1	Ring Set, Piston (250)*
6	3402-271	1	● Crankshaft - Right (300)	16	3402-267	1	Pin, Piston (300)
	3402-420	1	● Crankshaft - Right (250)		3402-417	1	Pin, Piston (250)
7	3402-272	1	● Crankshaft - Left (300)	17	3423-280	2	Circlip (300)
	3402-421	1	● Crankshaft - Left (250)		3423-366	2	Circlip (250)
8	3402-216	1	Bearing - Right	18	3402-227	1	Seal, Oil
9	3402-221	1	Bearing - Middle	19	3436-012	1	Piston Set (+0.5 mm) (300)
10	3402-055	1	Bearing - Left (300)		3436-011	1	Piston Set (+1.0 mm) (300)
	3402-180	1	Bearing - Left (250)		3402-423	1	Piston Set (+0.5 mm) (250)
11	3423-053	1	O-Ring		3402-424	1	Piston Set (+1.0 mm) (250)



## STARTER CLUTCH ASSEMBLY

0733-748

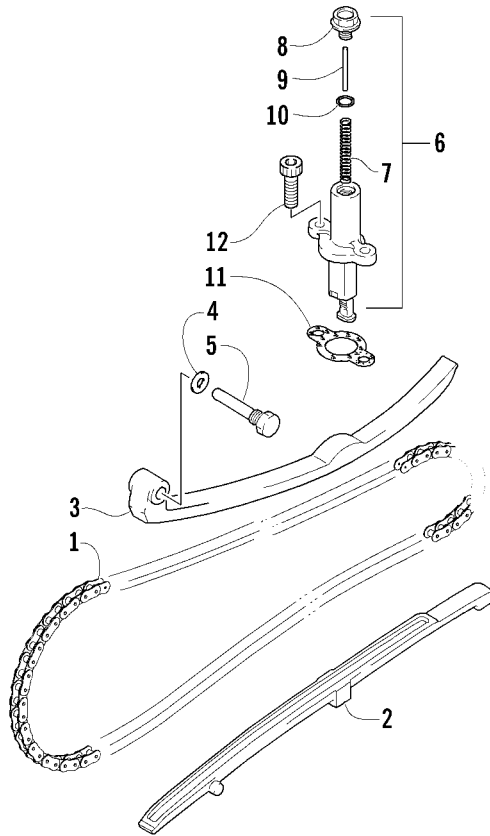
Ref.	Part No.	Qty.	Description	Ref.	Part No.	Qty.	Description
1	3402-274	1	Gear, Starter Idler	4	3402-273	1	Clutch Set, Starter (inc. 5)
2	3423-267	1	Pin	5	3402-222	1	● Bearing
3	3402-145	1	Spacer	6	3423-309	3	Screw, Cap



## CAMSHAFT/VALVE ASSEMBLY

0733-749

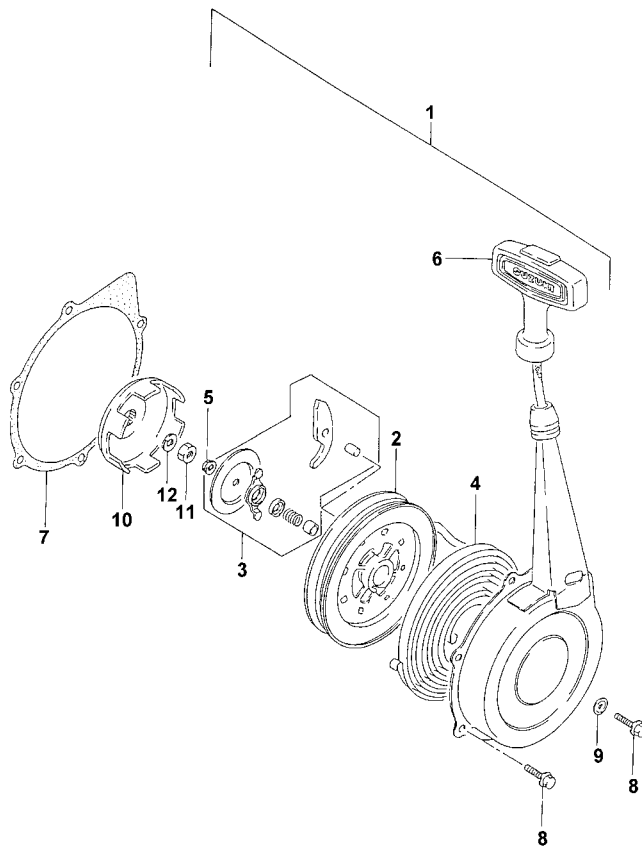
Ref.	Part No.	Qty.	Description	Ref.	Part No.	Qty.	Description
1	3402-275	1	Camshaft (300)	14	3402-296	1	Lever, Decompression
	3402-397	1	Camshaft (250)	15	3402-225	1	Seal, Oil
2	3402-326	1	Sprocket (300)	16	3402-242	1	Spring
	3402-427	1	Sprocket (250)	17	3004-326	1	Nut
3	3423-047	1	Pin	18	3402-289	2	Shaft, Rocker Arm
4	3423-284	1	Washer	19	3423-052	2	O-Ring
5	3423-013	2	Screw, Cap	20	3423-259	2	Washer
6	3423-071	1	C-Ring	21	3003-290	2	Gasket
7	3402-288	2	Arm, Valve Rocker (inc. 8-9)	22	3004-376	2	Screw, Cap
8	3423-287	2	● Screw, Cap	23	3402-290	1	Valve, Intake
9	3423-288	2	● Nut	24	3402-291	1	Valve, Exhaust
10	3402-226	2	Seal, Oil	25	3402-292	2	Spring Set, Valve (300)
11	3402-294	2	Seat, Spring (300)		3402-401	2	Spring Set, Valve (250)
	3402-403	2	Seat, Spring (250)	26	3402-293	2	Retainer, Spring (300)
12	0693-281	4	Cotter, Valve		3402-402	2	Retainer, Spring (250)
13	3402-295	1	Shaft, Decompression				



## CAM CHAIN ASSEMBLY

0733-750

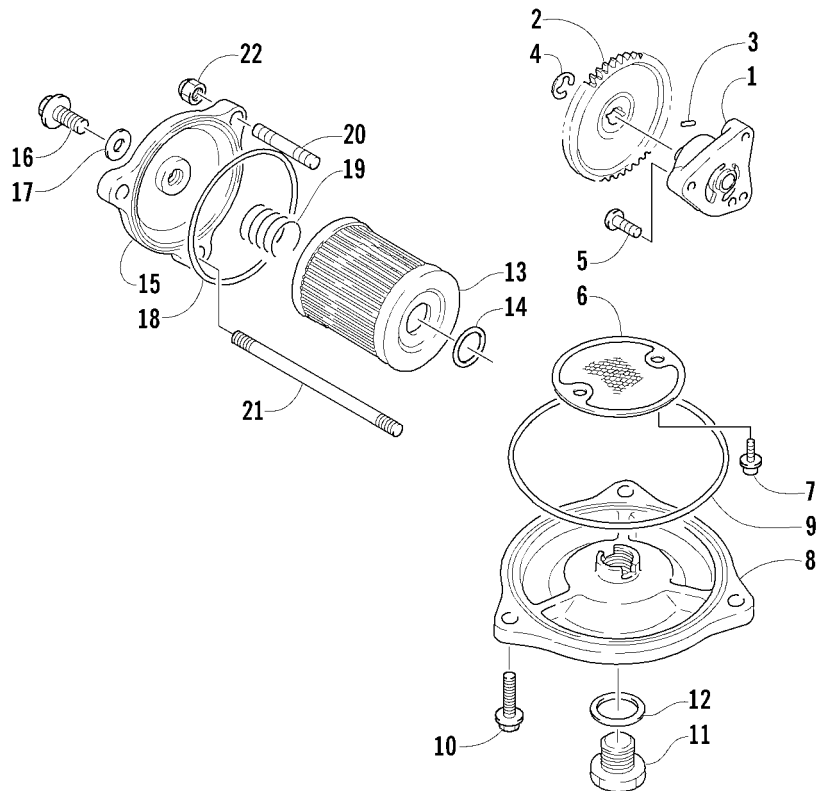
Ref.	Part No.	Qty.	Description	Ref.	Part No.	Qty.	Description
1	3402-281	1	Chain, Cam (300)	6	3402-283	1	Adjuster, Tensioner - Assembly (inc. 7-10)
	<del>3402-398</del>	1	Chain, Cam (250)	7	3402-284	1	● Spring
2	3402-277	1	Guide, Cam Chain (300)	8	3402-285	1	● Plug
	<del>3402-399</del>	1	Guide, Cam Chain (250)	9	3402-286	1	● Bar
3	3402-282	1	Tensioner, Cam Chain (300)	10	3423-286	1	● O-Ring
	<del>3402-400</del>	1	Tensioner, Cam Chain (250)	11	3402-287	1	Gasket, Adjuster
4	3003-188	1	Washer	12	3004-576	2	Screw, Cap
5	3423-074	1	Screw, Cap				



## RECOIL STARTER ASSEMBLY

0733-751

Ref.	Part No.	Qty.	Description	Ref.	Part No.	Qty.	Description
1	3445-018	1	Starter, Recoil - Assembly (inc. 2-6)	7	3445-021	1	Gasket, Recoil
2	3445-019	1	● Reel	8	3423-112	6	Screw, Cap
3	3445-016	1	● Ratchet - Assembly	9	3003-290	1	Gasket
4	3445-007	1	● Spring, Spiral	10	3445-022	1	Cup, Starter
5	3004-488	1	● Nut	11	3004-336	1	Nut
6	3445-020	1	● Rope Assembly	12	3004-362	1	Washer, Lock

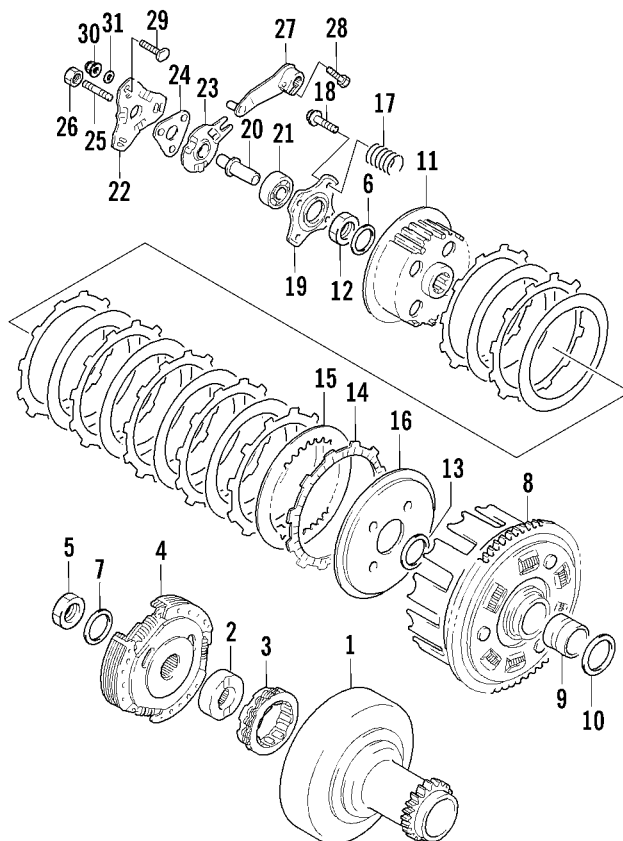


## OIL PUMP ASSEMBLY

0733-752

Ref.	Part No.	Qty.	Description	Ref.	Part No.	Qty.	Description
1	3445-017	1	Pump, Engine Oil	12	3402-012	1	Gasket
2	3402-302	1	Gear, Driven	13	3436-005	1	Filter, Engine Oil
3	3423-285	1	Pin	14	3423-270	1	O-Ring
4	3423-168	1	Circlip	15	3402-303	1	Cap, Oil Filter
5	3004-402	3	Screw, Cap	16	3004-705	1	Plug, Oil Check
6	3402-304	1	Strainer, Engine Oil	17	3005-242	1	Gasket
7	0693-389	2	Screw, Cap	18	3423-277	1	O-Ring
8	3402-305	1	Cap, Oil Strainer	19	3402-238	1	Spring
9	3423-278	1	O-Ring	20	3423-314	2	Bolt, Stud
10	3004-507	3	Screw, Cap	21	3004-543	1	Bolt, Stud
11	3402-036	1	Plug, Drain (300)	22	3423-315	3	Nut
	3402-037	1	Plug, Drain (250)				



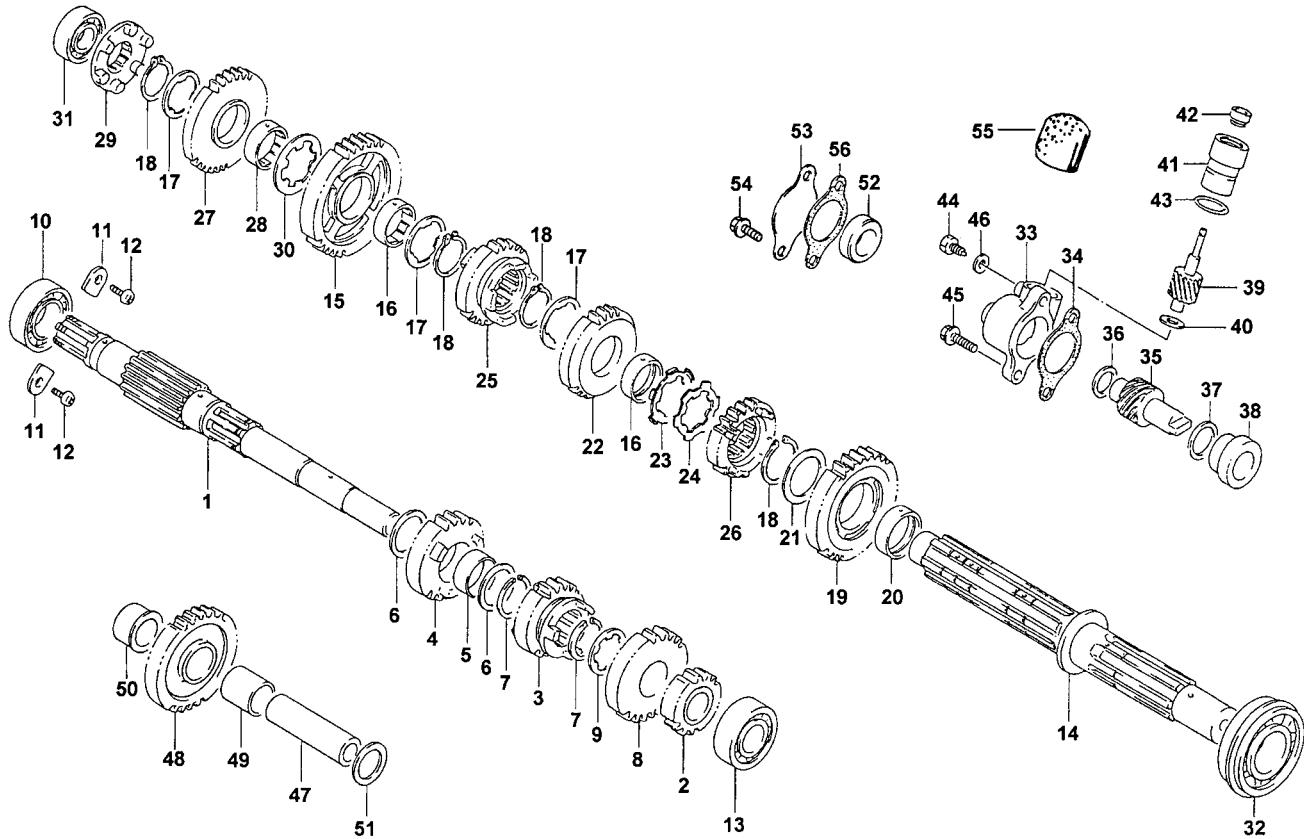


## CLUTCH ASSEMBLY

0733-753

Ref.	Part No.	Qty.	Description	Ref.	Part No.	Qty.	Description
1	3446-120	1	Gear, Primary Drive (300)	15	3446-125	7	Plate, Driven
	<del>3446-253</del>	1	Gear, Primary Drive (250)	16	3446-126	1	Disc, Pressure (300)
2	3446-129	1	Race, Inner		<del>3446-256</del>	1	Disc, Pressure (250)
3	3446-122	1	Clutch, One Way	17	3402-239	4	Spring
4	3446-128	1	Clutch-Assembly (300)	18	3004-341	4	Screw, Cap
	<del>3446-257</del>	1	Clutch-Assembly (250)	19	3446-127	1	Plate, Release
5	3423-253	1	Nut	20	3446-130	1	Piece, Push
6	3423-032	1	Washer, Lock	21	3402-043	1	Bearing
7	3423-260	1	Washer, Lock	22	3446-133	1	Guide, Ball - Outer
8	3446-121	1	Gear, Primary - Assembly (300)	23	3446-131	1	Guide, Ball - Inner
	<del>3446-254</del>	1	Gear, Primary - Assembly (250)	24	3446-134	1	Ball, Release
9	3402-206	1	Spacer	25	3423-248	1	Screw, Adjuster
10	3402-211	1	Washer	26	3423-022	1	Nut, Adjuster
11	3446-123	1	Hub, Clutch (300)	27	3446-132	1	Arm, Release
	<del>3446-255</del>	1	Hub, Clutch (250)	28	3423-125	1	Screw, Cap
12	3423-254	1	Nut	29	3423-245	3	Screw, Cap
13	3423-316	1	Washer	30	0693-316	3	Nut
14	3446-124	8	Plate, Drive	31	3003-290	3	Seal, Cap Screw

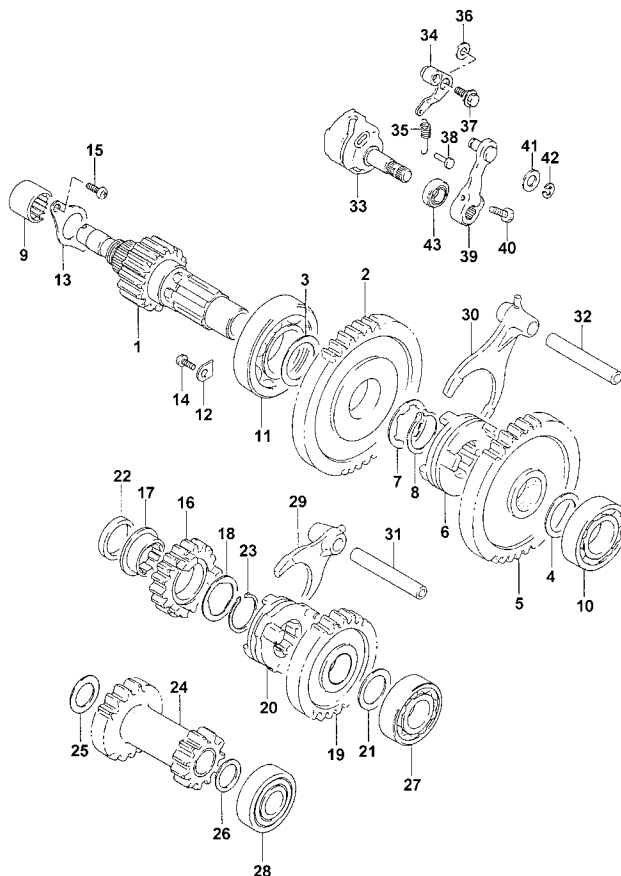
1999 ATV 250 2x4  
1999 ATV 300 2x4 and 300 4x4



## TRANSMISSION ASSEMBLY

0733-754

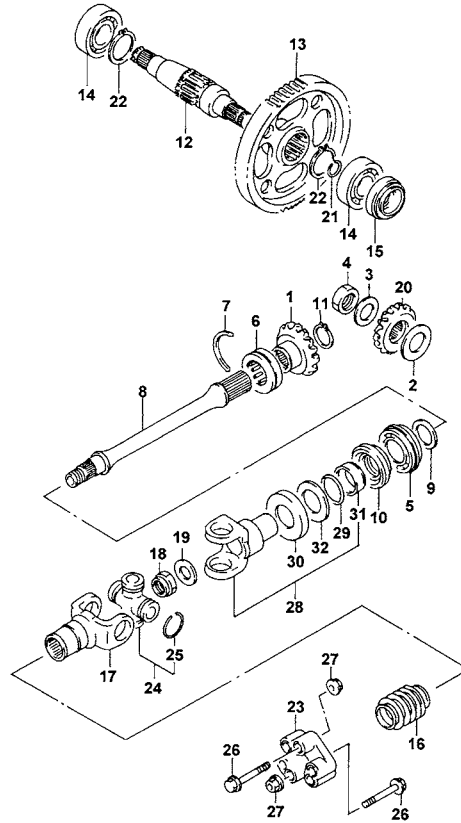
Ref.	Part No.	Qty.	Description	Ref.	Part No.	Qty.	Description
1	3446-135	1	Shaft, Counter	31	3402-218	1	Bearing - Right
2	3446-137	1	Gear, 2nd Drive	32	3402-220	1	Bearing - Middle
3	3446-138	1	Gear, 3rd Drive	33	3446-057	1	Housing, Odometer Gear (4x4)
4	3446-139	1	Gear, 4th Drive	34	3446-059	1	Gasket (4x4)
5	3402-229	1	Bush	35	3446-228	1	Gear, Odometer Drive (4x4)
6	3402-210	2	Washer	36	3423-336	1	Washer - Right (4x4)
7	3423-279	2	Circlip	37	3423-337	1	Washer - Left (4x4)
8	3446-140	1	Gear, 5th Drive	38	3446-114	1	Spacer (4x4)
9	3423-261	1	Washer	39	3446-229	1	Gear, Odometer Driven (4x4)
10	0691-374	1	Bearing - Right	40	3423-144	1	Washer (4x4)
11	3446-031	2	Retainer	41	3446-058	1	Sleeve (4x4)
12	3004-552	2	Screw, Cap	42	3402-077	1	Seal, Oil (4x4)
13	3402-224	1	Bearing, Middle	43	3423-056	1	O-Ring (4x4)
14	3446-136	1	Driveshaft	44	3423-143	1	Screw, Cap (4x4)
15	3446-141	1	Gear, 1st Driven	45	3004-507	2	Screw, Cap (4x4)
16	3446-144	2	Bush	46	3402-009	1	Washer (4x4)
17	3423-036	3	Washer, Lock	47	3446-148	1	Shaft, Reverse Idle
18	3423-066	4	Circlip	48	3446-149	1	Gear, Reverse Idle
19	3446-142	1	Gear, 2nd Driven	49	3402-228	1	Bush
20	3402-230	1	Bush	50	3446-150	1	Spacer
21	3423-317	1	Washer	51	3402-209	1	Washer
22	3446-143	1	Gear, 3rd Driven	52	3402-255	1	Plug, Cover Hole (2x4)
23	3423-266	1	Washer, Lock	53	3446-153	1	Retainer, Transfer Cover Plug (2x4) (300)
24	3423-262	1	Washer, Lock		<u>3446-260</u>	1	Retainer, Transfer Cover Plug (2x4) (250)
25	3446-146	1	Gear, 4th Driven	54	3423-231	2	Bolt, Retainer (2x4) (300)
26	3446-147	1	Gear, 5th Driven		<u>3423-363</u>	2	Bolt, Retainer (2x4) (250)
27	3446-151	1	Gear, Reverse Driven	55	0402-160	1	Cap, Speedometer Drive
28	3446-145	1	Bush	56	3446-231	1	Gasket (300)
29	3446-152	1	Dog		<u>3446-244</u>	1	Gasket (250)
30	3423-263	1	Washer				



## SECONDARY TRANSMISSION ASSEMBLY

0733-755

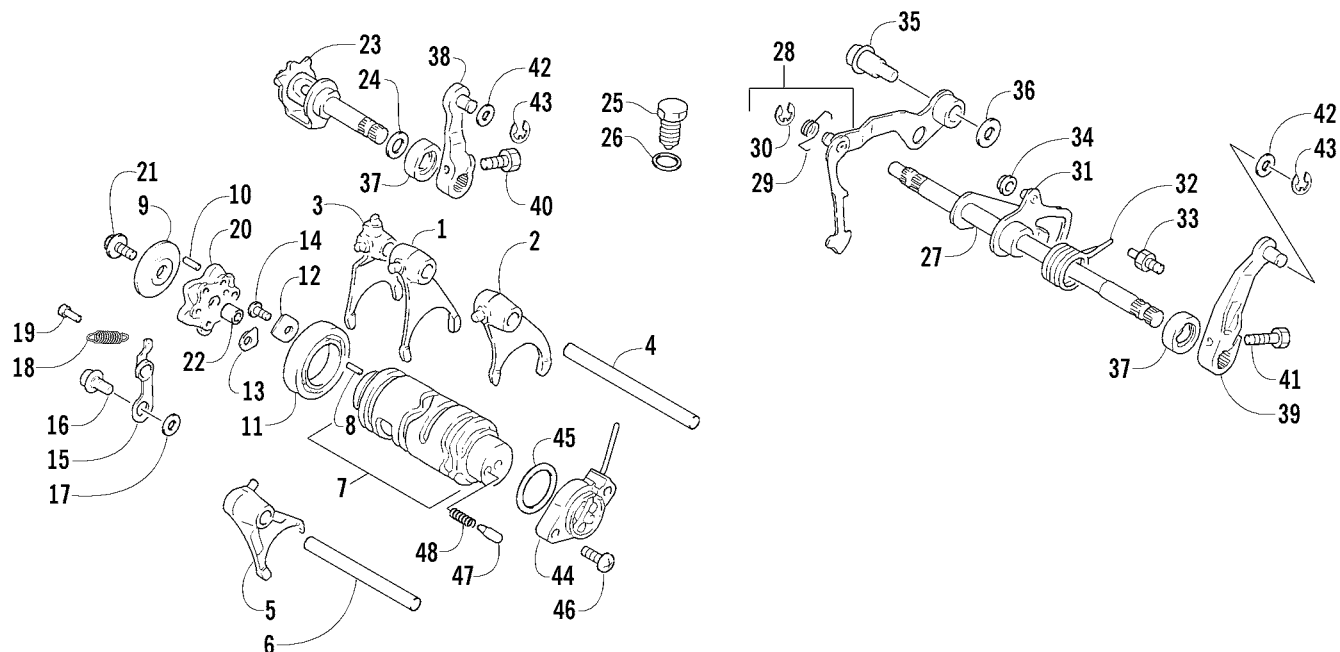
Ref.	Part No.	Qty.	Description	Ref.	Part No.	Qty.	Description
1	3446-206	1	Shaft, Sub Transmission (4x4)	21	3402-195	1	Washer
	3446-179	1	Shaft, Sub Transmission (2x4)	22	3402-207	1	Spacer
2	3446-207	1	Gear, Driven (4x4)	23	3423-066	1	Circlip
	3446-184	1	Gear, Driven (2x4)	24	3446-180	1	Gear, Idler
3	3423-338	1	Washer - Right (4x4)	25	3402-205	1	Washer
4	3423-298	1	Washer - Left (4x4)	26	3423-319	1	Washer
5	3446-208	1	Gear, Driven (4x4)	27	3003-261	1	Bearing, Drive - Left
6	3446-209	1	Dog, Driven Gear (4x4)	28	3402-217	1	Bearing, Counter - Left
7	3423-317	1	Washer (4x4)	29	3446-185	1	Fork
8	3423-318	1	Circlip	30	3446-210	1	Fork (4x4)
9	3402-278	1	Bearing - Right	31	3446-168	1	Shaft
10	3004-209	1	Bearing - Left	32	3446-230	1	Shaft (4x4)
11	3402-055	1	Bearing - Middle (300)	33	3446-211	1	Cam, Sub Transmission Gear (4x4)
	3402-180	1	Bearing - Middle (250)		3446-186	1	Cam, Sub Transmission Gear (2x4)
12	3446-031	2	Retainer	34	3446-187	1	Stopper
13	3446-154	1	Retainer	35	3402-241	1	Spring
14	3004-552	2	Screw, Cap	36	3423-141	1	Washer
15	0693-321	2	Screw, Cap	37	3423-240	1	Screw, Cap
16	3446-181	1	Gear, Drive	38	3423-268	1	Pin (4x4)
17	3446-069	1	Bushing (300)	39	3446-116	1	Arm
	<u>3446-259</u>	1	Bushing (250)	40	3423-125	1	Screw, Cap
18	3423-036	1	Washer	41	3423-204	1	Washer
19	3446-182	1	Gear, Drive	42	3423-168	1	E-Ring
20	3446-183	1	Dog, Drive Gear	43	3402-076	1	Seal, Oil



## SECONDARY GEAR/PROPELLER SHAFT ASSEMBLY

0733-756

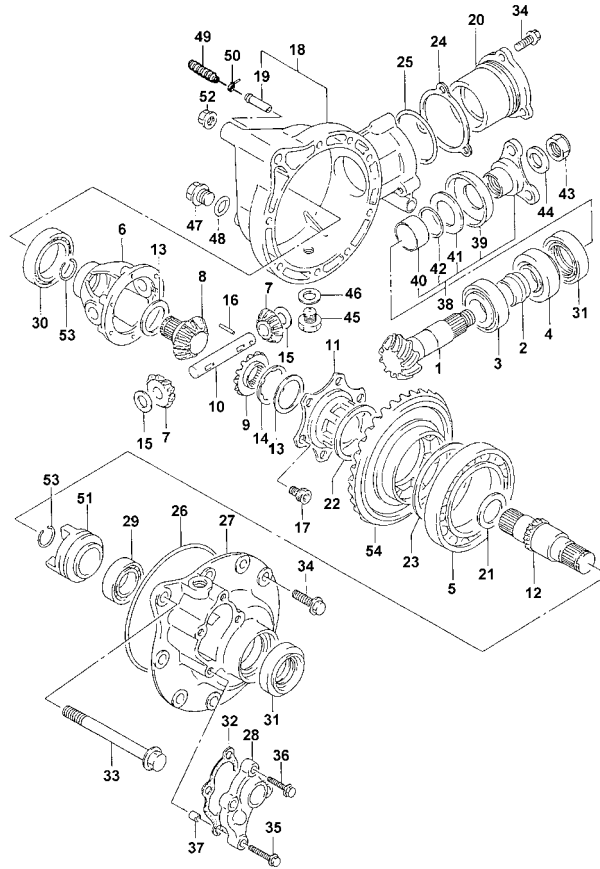
Ref.	Part No.	Qty.	Description	Ref.	Part No.	Qty.	Description
1	3446-197	1	Gear, Secondary Drive Bevel (4x4)	11	3423-340	1	Circlip (4x4)
2	3446-035	1	Shim Set, Secondary Drive Bevel (4x4)	12	3446-176	1	Shaft, Rear Final Driven
3	3423-032	1	Washer (4x4)	13	3446-175	1	Gear, Driven
4	3423-254	1	Nut (4x4)	14	3402-219	2	Bearing
5	3402-067	1	Bearing, Front (4x4)	15	3402-072	2	Seal, Oil
6	3402-062	1	Bearing, Rear (4x4)	16	3435-005	1	Boot (4x4)
7	3423-072	1	Ring (4x4)	17	3435-002	1	Yoke, Propeller Shaft Joint (4x4)
8	3446-199	1	Shaft, Secondary Output (4x4)	18	3423-025	1	Nut (4x4)
9	3402-308	1	Shim, 25 x 34 x 0.50 mm (4x4)	19	3423-028	1	Washer (4x4)
	3402-017	1	Shim, 25 x 34 x 0.60 mm (4x4)	20	3446-198	1	Gear, Secondary Driven Bevel (4x4)
	3402-018	1	Shim, 25 x 34 x 0.65 mm (4x4)	21	3423-281	2	Ring
	3402-019	1	Shim, 25 x 34 x 0.70 mm (4x4)	22	3423-321	2	Circlip
	3402-020	1	Shim, 25 x 34 x 0.75 mm (4x4)	23	3435-007	1	Coupling (4x4)
	3402-021	1	Shim, 25 x 34 x 0.80 mm (4x4)	24	3435-011	1	Joint, Universal (inc. 25) (4x4)
	3402-022	1	Shim, 25 x 34 x 0.85 mm (4x4)	25	3423-067	4	● Circlip
	3402-023	1	Shim, 25 x 34 x 0.90 mm (4x4)	26	3423-182	6	Screw, Cap (4x4)
	3402-024	1	Shim, 25 x 34 x 0.95 mm (4x4)	27	3004-491	6	Nut (4x4)
	3402-025	1	Shim, 25 x 34 x 1.00 mm (4x4)	28	3435-001	1	Yoke, Front Drive Output (inc. 28-32) (4x4)
	3402-028	1	Shim, 25 x 34 x 1.05 mm (4x4)	29	3423-060	1	● O-Ring
	3402-029	1	Shim, 25 x 34 x 1.10 mm (4x4)	30	3423-035	1	● Plate
	3402-030	1	Shim, 25 x 34 x 1.15 mm (4x4)	31	3435-029	1	● Collar
	3402-031	1	Shim, 25 x 34 x 1.20 mm (4x4)	32	3435-030	1	● Plate, Oil Seal
10	3402-072	1	Seal, Oil				



## GEAR SHIFTING ASSEMBLY

0733-757

Ref.	Part No.	Qty.	Description	Ref.	Part No.	Qty.	Description
1	3446-155	1	Fork, Gear Shifting	26	3402-012	1	Gasket
2	3446-156	1	Fork, Gear Shifting	27	3446-169	1	Shaft, Gear Shifting
3	3446-159	1	Fork, Gear Shifting	28	3446-170	1	Arm, Gear Shifting (inc. 29-30)
4	3446-167	1	Shaft	29	3402-312	1	● Spring
5	3446-157	1	Fork, Gear Shifting	30	3423-323	1	● E-Ring (300)
6	3446-051	1	Shaft		<del>3423-368</del>	1	● E-Ring (250)
7	3446-160	1	Cam, Gear Shifting (inc. 8)	31	3446-171	1	Arm, Link
8	3423-114	1	● Pin	32	3402-094	1	Spring
9	3446-162	1	Retainer, Pin	33	3446-172	1	Stopper, Arm
10	3423-045	6	Pin	34	3402-132	1	Roller
11	3402-051	1	Bearing	35	3423-233	1	Screw, Cap
12	3446-163	1	Retainer	36	3423-324	1	Washer
13	3446-031	1	Retainer	37	3402-076	2	Seal, Oil
14	3004-552	2	Screw, Cap	38	3446-055	1	Arm
15	3446-165	1	Stopper, Cam	39	3446-115	1	Arm, Gear Shifting Cable
16	3423-240	1	Screw, Cap	40	3423-125	1	Screw, Cap
17	3423-141	1	Washer	41	3423-228	1	Screw, Cap
18	3402-240	1	Spring	42	3423-204	2	Washer
19	3423-268	1	Pin	43	3423-168	2	E-Ring
20	3446-166	1	Plate, Stopper	44	3430-032	1	Switch, Gear Shift Position
21	3004-376	1	Screw, Cap	45	3423-273	1	O-Ring
22	3005-206	1	Pin	46	3423-325	2	Screw, Cap
23	3446-161	1	Cam, Reverse Shifting	47	3423-044	1	Contact
24	3423-322	1	Washer	48	3402-087	1	Spring
25	3446-164	1	Stopper, Cam				

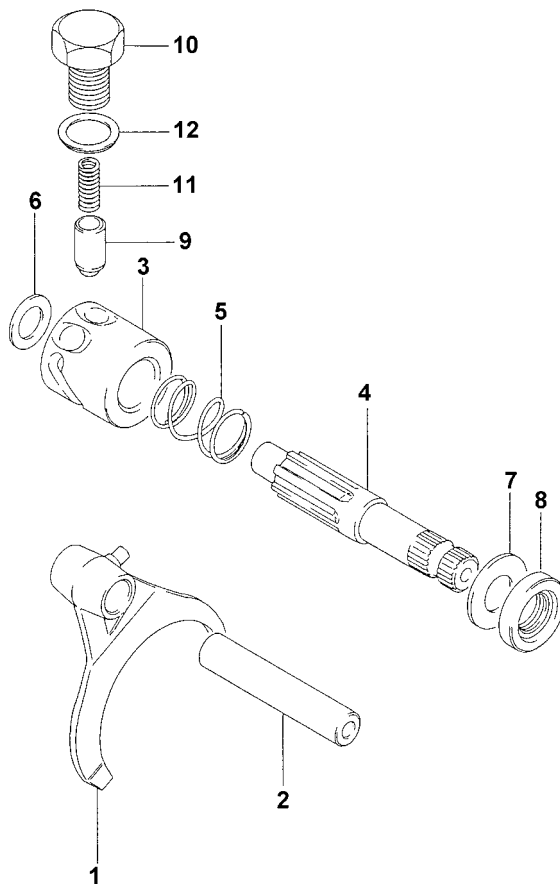


## DIFFERENTIAL GEAR ASSEMBLY

(Complete Assembly p/n 3502-001)

0733-758 \*Not in Assembly

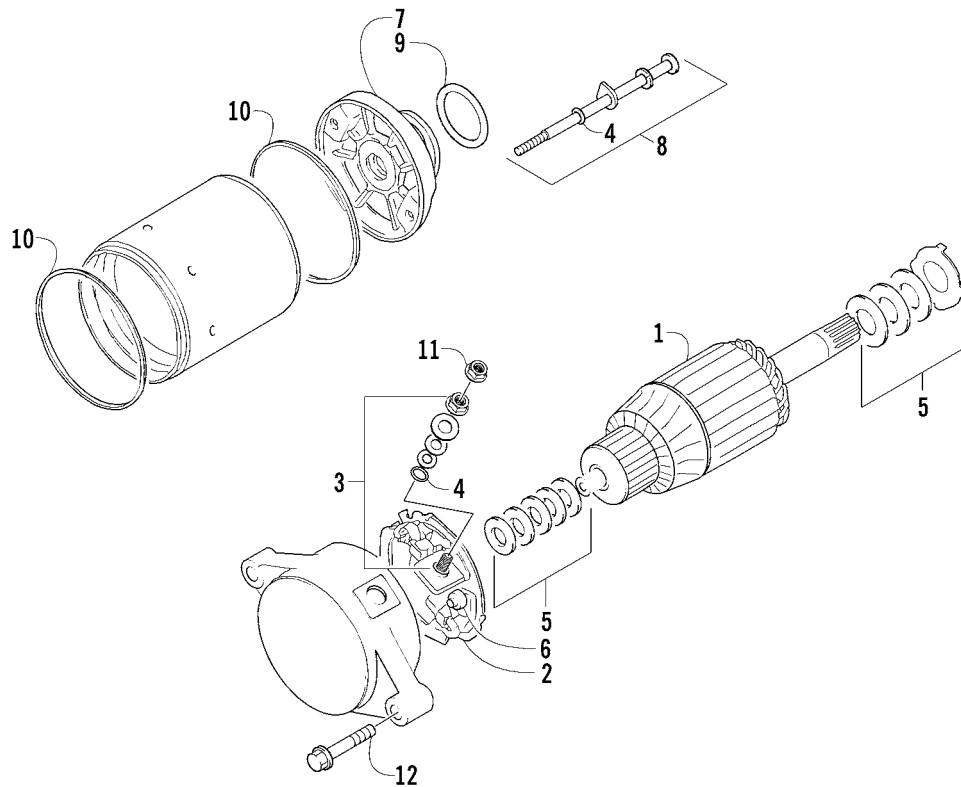
Ref.	Part No.	Qty.	Description	Ref.	Part No.	Qty.	Description
1	3435-068	1	Gear, Front Drive Bevel	27	3435-078	1	Case, Driven Gear Bearing
2	3402-016	1	Spacer	28	3435-079	1	Cover
3	3402-065	1	Bearing, Front	29	3402-185	1	Bearing, Left
4	3402-066	1	Bearing, Rear	30	3402-057	1	Bearing, Right
5	3402-059	1	Bearing	31	3402-072	3	Seal, Oil
6	3435-076	1	Case, Differential	32	3402-323	1	Gasket, Case Cover
7	3435-071	2	Pinion, Differential Side	33	3423-010	2	Screw, Cap
8	3435-072	1	Gear, Right	34	3423-175	11	Screw, Cap
9	3435-080	1	Gear, Left	35	0693-327	2	Screw, Cap
10	3435-073	1	Shaft, Pinion	36	3004-756	2	Screw, Cap
11	3435-070	1	Hub	37	3005-206	2	Pin
12	3435-074	1	Shaft, Driven Output	38	3435-009	1	Flange, Drive Bevel Gear (inc. 39-42)
13	3423-294	AR	Washer	39	3423-034	1	● Plate
	3423-295	AR	Washer	40	3435-029	1	● Collar
	3423-296	AR	Washer	41	3435-030	1	● Plate, Oil Seal
14	3423-297	1	Washer	42	3423-060	1	● O-Ring
15	3423-293	2	Washer	43	3423-178	1	Nut
16	3402-309	1	Pin, Pinion Shaft	44	3423-028	1	Washer
17	3423-309	6	Screw, Cap	45	3402-036	1	Plug, Drain
18	3435-077	1	Housing, Differential Gear (inc. 19)	46	3402-012	1	Gasket
19	3402-084	1	● Union, Breather	47	3402-038	1	Plug, Filler
20	3435-021	1	Housing, Drive Bevel Gear	48	3423-054	1	O-Ring
21	3423-317	1	Washer	49	0402-147	1	Bladder, Case*
22	3435-017	1	Shim Set, Front Drive Bevel Gear	50	0123-811	1	Tie, Cable*
23	3435-020	1	Shim Set, Drive Gear Bearing	51	3435-075	1	Dog
24	3435-022	1	Shim Set, Front Drive Bevel Housing	52	3423-341	2	Nut
25	3423-064	1	O-Ring	53	3423-070	2	Circlip
26	3423-050	1	O-Ring	54	3435-069	1	Gear, Front Driven Bevel



## DIFFERENTIAL LOCK ASSEMBLY

0733-759

Ref.	Part No.	Qty.	Description	Ref.	Part No.	Qty.	Description
1	3446-205	1	Fork, Differential Locking	7	3423-339	1	Washer, Left
2	3446-202	1	Shaft, Fork	8	3402-076	1	Seal, Oil
3	3446-203	1	Cam, Differential Locking	9	3446-119	1	Stopper
4	3446-204	1	Shaft, Cam	10	3446-046	1	Housing
5	3402-311	1	Spring	11	3402-089	1	Spring
6	3423-300	1	Washer, Right	12	3402-012	1	Gasket



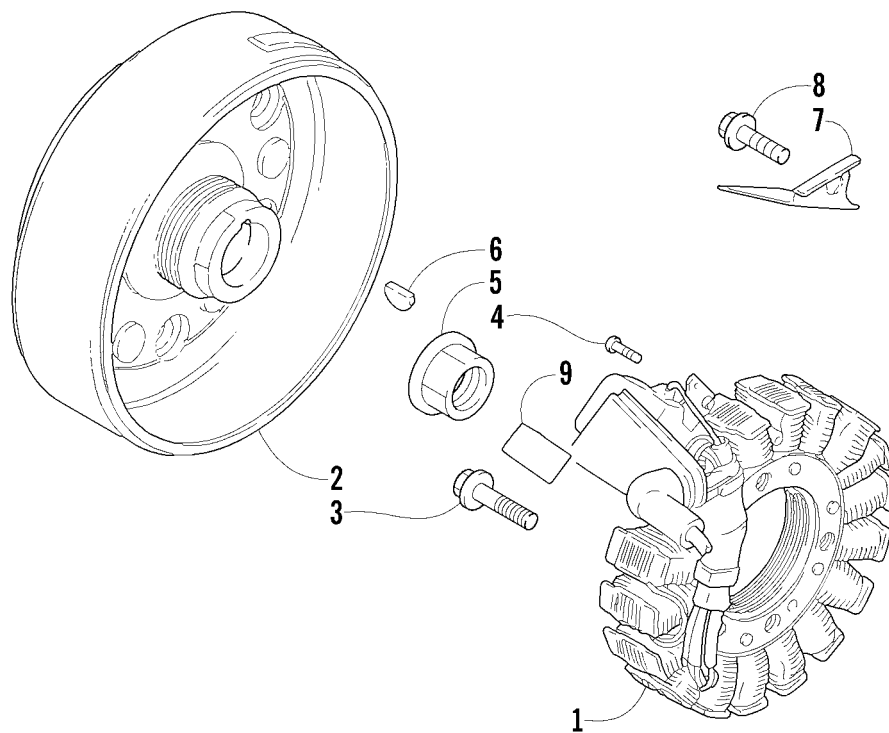
## STARTER MOTOR ASSEMBLY

Complete Assembly p/n 3545-003

0733-760

Ref.	Part No.	Qty.	Description	Ref.	Part No.	Qty.	Description
1	3008-554	1	Armature	7	3008-552	1	Bracket, Front - Assembly
2	3008-550	1	Holder Set, Brush	8	3423-289	2	Bolt Set (inc. 4)
3	3008-549	1	Terminal Set, Brush (inc. 4)	9	3423-272	1	O-Ring
4	3008-164	3	● O-Ring	10	3008-553	2	O-Ring
5	3008-099	1	Washer Set	11	3423-195	1	Nut
6	3008-551	2	Spring, Brush	12	3004-756	2	Screw, Cap

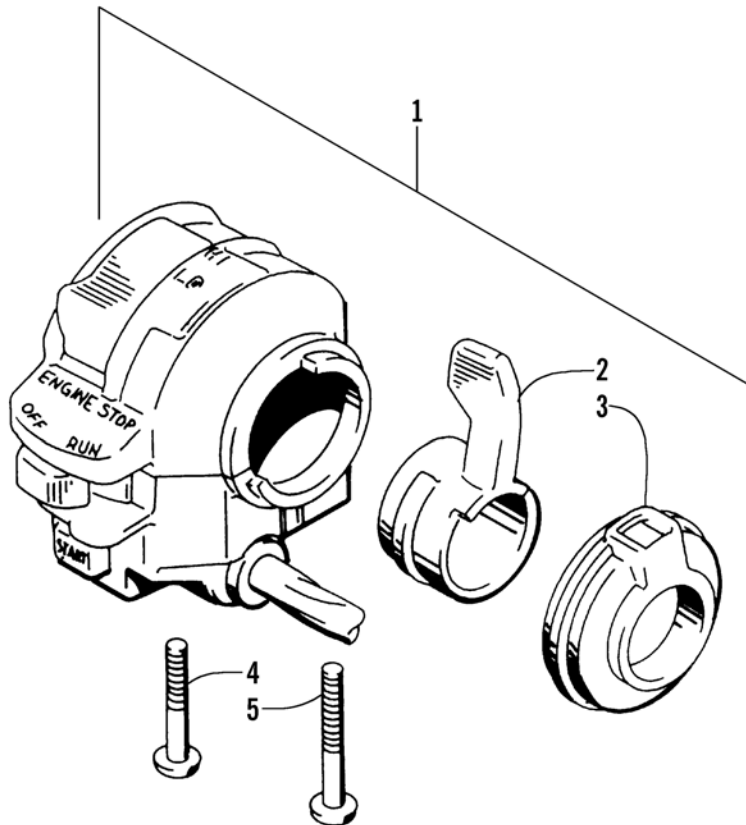




## MAGNETO ASSEMBLY

0733-761

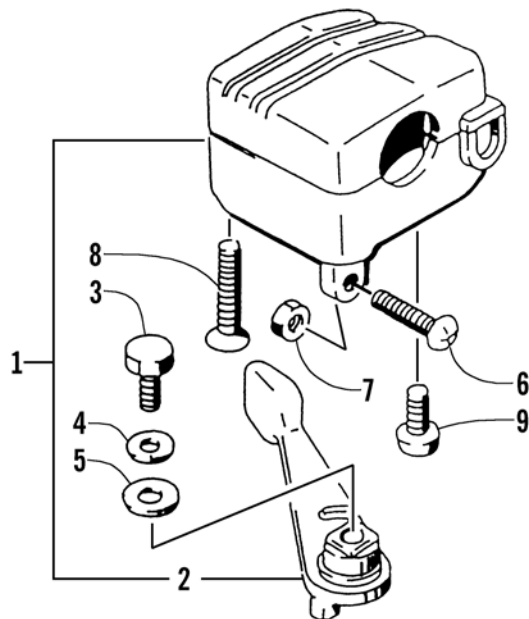
Ref.	Part No.	Qty.	Description	Ref.	Part No.	Qty.	Description
1	3430-021	1	Stator - Assembly	5	3423-086	1	Nut, Magneto
2	3430-022	1	Rotor (300)	6	3004-540	1	Key
	<u>3430-039</u>	1	Rotor (250)	7	3430-023	1	Plate
3	3004-756	3	Bolt, Magneto	8	3423-112	1	Screw, Cap
4	3423-326	2	Screw, Cap	9	3430-036	1	Sheet, Heat Protection



## CONTROL SWITCH HOUSING ASSEMBLY

0732-323

Ref.	Part No.	Qty.	Description	Ref.	Part No.	Qty.	Description
1	3509-001	1	Switch, Handle - Assembly (inc. 2-5)	4	3423-196	1	● Screw, Cap
2	3409-009	1	● Lever, Choke	5	3423-197	1	● Screw, Cap
3	3409-010	1	● Cover, Choke				



## THROTTLE CASE ASSEMBLY

0732-324

Ref.	Part No.	Qty.	Description	Ref.	Part No.	Qty.	Description
1	3509-002	1	Case, Throttle - Assembly (inc. 2-9)	6	3423-014	1	● Screw, Cap
2	3409-001	1	● Lever	7	3423-327	1	● Nut
3	3004-533	1	● Screw, Cap	8	3423-199	2	● Screw, Cap
4	3004-447	1	● Washer, Lock	9	3004-638	1	● Screw, Cap
5	3003-030	1	● Washer				

